

Gore Bay Downtown Revitalization



**THE CORPORATION OF THE TOWN OF
GORE BAY**

SEPTEMBER 2024

REQUEST FOR QUOTATION

September 16, 2024

**SUBJECT: Request for Quotation (RFQ)
Gore Bay Downtown Revitalization Project**

The Corporation of the Town of Gore Bay is seeking a quotation to complete the construction works that includes the installation of streetlights and power distribution for Dawson Street located in Gore Bay.

All work shall be completed as per the scope of work, specifications and drawings attached.

Quotation Submissions

Quotations are to be submitted by **September 30th, 2024, at 2:00p.m.** to Bradley Legault via e-mail at bradley.legault@exp.com using the template for unit prices provided in this RFQ. The contractor has the option to attend an on-site visit scheduled for **September 18th, 2024, at 2:00p.m.** Please email bradley.legault@exp.com for site visit registration. Project completion date is scheduled to be **April 2025**.

The Owner reserves the right, in its sole discretion, to reject any or all Bids as the interests of the Owner may require, without stating the reasons therefore, including without limitation, the lowest priced Bid.

Background

The Town of Gore Bay is located on the north shore of Manitoulin Island. The Municipality is a single tier municipality, and as such is responsible for providing such services as fire protection, public works, water and wastewater, parks, and recreation, building and planning and development control. The Municipality is serviced by Highway 540 and Highway 540B. The Municipality's current population is approximately 867 (2016 census).

EXP has been retained by the Corporation of the Town of Gore Bay to provide engineering services for the Dawson Street Watermain Replacement Project. During the design phase of this project, the scope was expanded to include the design of street lighting and the corresponding power distribution system along Dawson Street, which spans approximately 80 meters from Meredith Street to Water Street.

Scope of Work

The Corporation of the Town of Gore Bay is seeking a quotation to complete the construction of streetlighting and power distribution of the Gore Bay Downtown Revitalization project. The purpose of this project is to provide streetlighting with built in GFI receptacles along Dawson Street located in Gore Bay. This project includes the assembly and installation of owner-supplied streetlight posts and related accessories at designated locations along Dawson Street, Gore Bay. The contractor is responsible for supplying and installing all the required cabling to power the streetlights and receptacles. Cabling shall be run from each light post to the power pedestal. The contractor must supply and install a power pedestal that will serve as the central power distribution point for the streetlights and receptacles.

The contractor is responsible for coordinating with Ontario Hydro to connect the power pedestal to the existing hydro pole on Dawson Street. This includes all necessary scheduling, permits, and inspections required by Ontario Hydro to ensure a safe and compliant connection. Electrical conduit has already been installed along Dawson Street. The contractor is not required to install the conduit but must utilize the pre-installed conduit to run all necessary cabling.

Communications

Communication (including clarification required from a technical perspective and/or from a purchasing perspective,) between EXP and Contractors must be in written format via email or fax. To facilitate comprehensive responses, Contractors are encouraged to email their questions as soon as possible to the Authorized Persons below. No verbal instructions or verbal information to Suppliers will be binding on EXP.

Authorized persons for this Request for Quotation are:

Name: Bradley Legault, P.Eng., LEED GA

Title: Mechanical Coordinator

Phone Number: 705-648-3614

E-mail: bradley.legault@exp.com

Address: 885 Regent Street, Sudbury, ON, P3E
5M4

Forms Attached:

1. Purchase Order
2. Summary of Prices
3. Revised Shop Drawings
4. Construction Drawings
5. Power Pedestal Cutsheets

APPENDICES

Appendix A: Purchase Order



885 Regent Street
 Sudbury, ON P3E 5M4, Canada
 T: 705.674.9681 • www.exp.com

Sudbury, September 16, 2024

Purchase Order

Please see the table below for items to be purchased for the Dawson Street Revitalization Project.

Infrastructure - Electrical Shop Drawing Changes			
SUD-23000881-A0 - Dawson Street - EXP SERVICES INC. - 2024			
Item	Description	Catalog #	Quantity
OLD LAYOUT			
TYPE A			
LIGHT FIXTURE	ACUITYBRANDS - GELF3 - P10 - LED - 3,870 LUMENS - 30K CCT - 120-277V, ASYMETRIC, HOUSESIDE SHEILD, PHOTOCONTROL RECEPTACLE, DLL PHOTOCONTROL, 20FT PREWIRE LEADS, ULTRAMARINE BLUE	GELF3 P10 30K MVOLT ASY ARM RAL5002SDCR PR7 PCLL L20 HSS	4
ROADWAY ARM	ACUITYBRANDS - LIBSON GLASWERKS ALUMINUM ROADWAY ARM, 29 INCHES, DOUBLE ROADWAY ARM, TENON MOUNT, SUPER DURABLE CORROSION RESISTANT FINISH	LSC 29IN 2A TN RAL5002SDCR	2
POLE	HOLOPHANE - PSA, 17 FT, 5 INCH STRAIGHT SMOOTH SHAFT, RECEPTACLE PROVISION, 18 INCH BASE WITH DIOMOND BOLT PATTERN, GROUND LUG, SUPER DURABLE CORROSION RESISTANT FINISH, CLAMP-ON BANNER ARM, 24 INCH LONG, GFI RECEPTACLE WITH SMALL IN-USE WEATHERPROOF COVER.	PSA 17 S5J 18D G12 RAL5002SDCR GRD RP350 BA 24IN 1A CO S5J BL 075P RAL5002SDCR	2
TYPE B			
LIGHT FIXTURE	ACUITYBRANDS - GELF3 - P10 - LED - 3,870 LUMENS - 30K CCT - 120-277V, ASYMETRIC, PHOTOCONTROL RECEPTACLE, DLL PHOTOCONTROL, 20FT PREWIRE LEADS, ULTRAMARINE BLUE	GELF3 P10 30K MVOLT ASY ARM RAL5002SDCR PR7 PCLL L20	4
ROADWAY ARM	ACUITYBRANDS - LIBSON GLASWERKS ALUMINUM ROADWAY ARM, 29 INCHES, DOUBLE ROADWAY ARM, TENON MOUNT, SUPER DURABLE CORROSION RESISTANT FINISH	LSC 29IN 2A TN RAL5002SDCR	2

POLE	HOLOPHANE - PSA, 17 FT, 5 INCH STRAIGHT SMOOTH SHAFT, RECEPTACLE PROVISION, 18 INCH BASE WITH DIOMOND BOLT PATTERN, GROUND LUG, SUPER DURABLE CORROSION RESISTANT FINISH, CLAMP-ON BANNER ARM, 24 INCH LONG, GFI RECEPTACLE WITH SMALL IN-USE WEATHERPROOF COVER.	PSA 17 S5J 18D G12 RAL5002SDCR GRD RP350 BA 24IN 1A CO S5J BL 075P RAL5002SDCR	2
TYPE C			
LIGHT FIXTURE	ACUITYBRANDS - GELF3 - P40 - LED - 8,767 LUMENS - 30K CCT - 120-277V, ASYMETRIC, PHOTOCONTROL RECEPTACLE, DLL PHOTOCONTROL, 20FT PREWIRE LEADS, ULTRAMARINE BLUE	GELF3 P40 30K MVOLT ASY ARM RAL5002SDCR PR7 PCLL L20	3
ROADWAY ARM	ACUITYBRANDS - LIBSON GLASWERKS ALUMINUM ROADWAY ARM, 29 INCHES, SINGLE ROADWAY ARM, TENON MOUNT, SUPER DURABLE CORROSION RESISTANT FINISH	LSC 29IN 1A TN RAL5002SDCR	3
POLE	HOLOPHANE - PSA, 17 FT, 5 INCH STRAIGHT SMOOTH SHAFT, RECEPTACLE PROVISION, 18 INCH BASE WITH DIOMOND BOLT PATTERN, GROUND LUG, SUPER DURABLE CORROSION RESISTANT FINISH, CLAMP-ON BANNER ARM, 24 INCH LONG, GFI RECEPTACLE WITH SMALL IN-USE WEATHERPROOF COVER.	PSA 17 S5J 18D G12 RAL5002SDCR GRD RP350 BA 24IN 1A CO S5J BL 075P RAL5002SDCR	3
NEW LAYOUT			
TYPE A			
LIGHT FIXTURE	ACUITYBRANDS - GELF3 - P10 - LED - 3,870 LUMENS - 30K CCT - 120-277V, ASYMETRIC, HOUSESIDE SHEILD, PHOTOCONTROL RECEPTACLE, DLL PHOTOCONTROL, 20FT PREWIRE LEADS, ULTRAMARINE BLUE	GELF3 P10 30K MVOLT ASY ARM RAL5002SDCR PR7 PCLL L20 HSS	8
ROADWAY ARM	ACUITYBRANDS - LIBSON GLASWERKS ALUMINUM ROADWAY ARM, 29 INCHES, DOUBLE ROADWAY ARM, TENON MOUNT, SUPER DURABLE CORROSION RESISTANT FINISH	LSC 29IN 2A TN RAL5002SDCR	4
POLE	HOLOPHANE - PSA, 17 FT, 5 INCH STRAIGHT SMOOTH SHAFT, RECEPTACLE PROVISION, 18 INCH BASE WITH DIOMOND BOLT PATTERN, GROUND LUG, SUPER DURABLE CORROSION RESISTANT FINISH, CLAMP-ON BANNER ARM, 24 INCH LONG, GFI RECEPTACLE WITH SMALL IN-USE WEATHERPROOF COVER.	PSA 17 S5J 18D G12 RAL5002SDCR GRD RP350 BA 24IN 1A CO S5J BL 075P RAL5002SDCR	4

TYPE B			
LIGHT FIXTURE	ACUITYBRANDS - GELF3 - P20 - LED - 6,143 LUMENS - 30K CCT - 120-277V, ASYMETRIC, HOUSESIDE SHEILD, PHOTOCONTROL RECEPTACLE, DLL PHOTOCONTROL, 20FT PREWIRE LEADS, ULTRAMARINE BLUE	GELF3 P20 30K MVOLT ASY ARM RAL5002SDCR PR7 PCLL L20 HSS	3
ROADWAY ARM	ACUITYBRANDS - LIBSON GLASWERKS ALUMINUM ROADWAY ARM, 29 INCHES, SINGLE ROADWAY ARM, TENON MOUNT, SUPER DURABLE CORROSION RESISTANT FINISH	LSC 29IN 1A TN RAL5002SDCR	3
POLE	HOLOPHANE - PSA, 17 FT, 5 INCH STRAIGHT SMOOTH SHAFT, RECEPTACLE PROVISION, 18 INCH BASE WITH DIOMOND BOLT PATTERN, GROUND LUG, SUPER DURABLE CORROSION RESISTANT FINISH, CLAMP-ON BANNER ARM, 24 INCH LONG, GFI RECEPTACLE WITH SMALL IN-USE WEATHERPROOF COVER.	PSA 17 S5J 18D G12 RAL5002SDCR GRD RP350 BA 24IN 1A CO S5J BL 075P RAL5002SDCR	3

Appendix B: Summary of Prices

SUMMARY OF PRICES

SECTION 1 – CONSTRUCTION WORK

The proponent shall complete the divisional pricing table below in its entirety. Where no value is inserted on any given line, the Bidder shall be deemed to have included the amount for the applicable division in the total lump sum price.

SCHEDULE OF ITEMS AND PRICES
Part A - General and Contract Requirements

Item No.	Spec. No.	Item	Unit	Quantity	Unit Price	Amount
1		Mobilization/Demobilization	L.S.	100%		
2		Installation of Owner Supplied Light Poles	L.S.	100%		
3		Install Power Pedestal	L.S.	100%		
4		Coordination with Hydro One	L.S.	100%		
<i>SUBTOTAL</i>						\$ _____
<i>+HST</i>						

Appendix C: Revised Shop Drawings



Electratek Sales (2014) Ltd
216 Worthington St West
North Bay, ON, P1B 3B4
PH: 705-497-5959 Fax:705-497-5960
www.electratek.ca

DRAWINGS SUBMITTAL

Project name: TOWN OF GOREBAY STREET LIGHTS

Distributor: DIXON ELECTRIC LTD

Quote #: 3031-24-10351

Submission of drawings is for your approval and immediate return to **ELECTRATEK SALES LTD**. This package will not be released to the manufacturer(s) and no product will be produced until approval drawings have been returned or an email stating that the approval drawings have been waived.

MANUFACTURER	LEAD TIME
HOLOPHANE	4-6 WEEKS

IMPORTANT NOTICE

The drawings enclosed are Electratek Sales Ltd interpretation of the Bill of Material / Lighting Schedule received. All changes are to be clearly marked on each drawing. Approximate lead times provided on this form are estimated and are in no way to be used as a guaranteed on-site delivery date. Only when the orders are released then the proper lead times will be provided. The products will be manufactured and supplied as per the drawing enclosed unless marked otherwise.

ANY CUSTOM-MADE PRODUCTS ARE NOT RETURNABLE



ELECTRATEK SALES LTD
216 WORTHINGTON ST WEST
NORTH BAY, ON P1B 3B4
Phone:
Fax:
Contact: Bourre, Rob


Town of Gore Bay Street Lights

24-10351-2

8/21/2024

Submission Type		
<input type="checkbox"/> Prior Approval	<input type="checkbox"/> Resubmittal for Approval	<input checked="" type="checkbox"/> Approval
<input type="checkbox"/> Corrections	<input type="checkbox"/> Your Use	<input type="checkbox"/> Other
		<input type="text"/>

PROJECT NAME:
QUOTE#:

<p>X</p> <hr/> <p>CONTRACTOR'S SIGNATURE</p> <p>DATE:</p>	<p>REVIEWED <input type="checkbox"/></p> <p>REVIEWED WITH CHANGES <input type="checkbox"/></p> <p>REVISE AND RESUBMIT <input type="checkbox"/></p> <p>REJECTED <input type="checkbox"/></p>	<p>STAMP HERE</p>
<p>X <i>Braeden Lewis</i></p> <hr/> <p>ENGINEER'S SIGNATURE</p> <p>DATE: SEPTEMBER 16, 2024</p>	<p>REVIEWED <input type="checkbox"/></p> <p>REVIEWED WITH CHANGES <input checked="" type="checkbox"/></p> <p>REVISE AND RESUBMIT <input type="checkbox"/></p> <p>REJECTED <input type="checkbox"/></p>	<p>SHOP DRAWING STAMP</p> <p><input type="checkbox"/> No Exception Taken <input type="checkbox"/> Revise & Resubmit</p> <p><input checked="" type="checkbox"/> Make Corrections Noted; <input type="checkbox"/> Rejected; Submit Resubmission Not Required Compliant Product/System</p> <p>Review is for general conformance with the design concept of the project and general compliance with the information given in the contract documents. Any action shown is subject to the requirements of the contract documents. Contractor is responsible for the dimensions which shall be confirmed and correlated at the job site; fabrication processes and techniques of the construction; coordination of his or her work with that of all other trades; and the satisfactory performance of his or her work and required quantities.</p> <p>Project No <u>SUD-23000881-A0</u></p> <p>Date <u>September 16, 2024</u> By <u>Braeden Lewis</u></p> <p>Pages in Set <u>26</u> Spec Section <u>N/A</u></p> <p>exp Services Inc. </p>
<p>X</p> <hr/> <p>ARCHITECT'S SIGNATURE</p> <p>DATE:</p>	<p>REVIEWED <input type="checkbox"/></p> <p>REVIEWED WITH CHANGES <input type="checkbox"/></p> <p>REJECTED <input type="checkbox"/></p>	<p>STAMP HERE</p>



Electratek Sales (2014) Ltd
216 Worthington St West
North Bay, ON, P1B 3B4
PH: 705-497-5959 Fax:705-497-5960
www.electratek.ca

ADDITIONAL NOTES

CONTRACTOR	
ENGINEER	
ARCHITECT	



Project 24-10351-2
Town of Gore Bay Street Lights

Submitted By
ELECTRATEK SALES LTD

Type	Qty	Manufacturer/Brand	Catalog Number	Notes
A	4	ABL-Holophane	GELF3 P10 30K MVOLT ASY ARM RAL5002SDCR PR7 PCLL L20 HSS LSC 29IN 2A TN RAL5002SDCR	
A	2	ABL-Holophane	PSA 17 S5J 18D G12 RAL5002SDCR GRD RP350 BA 24IN 1A CO S5J BL 075P RAL5002SDCR	
B	4	ABL-Holophane	GELF3 P10 30K MVOLT ASY ARM RAL5002SDCR PR7 PCLL L20 LSC 29IN 2A TN RAL5002SDCR	
B	2	ABL-Holophane	PSA 17 S5J 18D G12 RAL5002SDCR GRD RP350 BA 24IN 1A CO S5J BL 075P RAL5002SDCR	
C	3	ABL-Holophane	GELF3 P40 30K MVOLT ASY ARM RAL5002SDCR PR7 PCLL L20 LSC 29IN 1A TN RAL5002SDCR	
C	3	ABL-Holophane	PSA 17 S5J 18D G12 RAL5002SDCR GRD RP350 BA 24IN 1A CO S5J BL 075P RAL5002SDCR	

EIGHT (8)
LIGHT
FIXTURES ARE
REQUIRED



Catalog Number	
Notes	Type

GELF3
GlasWerks® Luminescent
LED Hallbrook® Extended



General Description

The architectural luminaire consists of a flat LED optical assembly shielded by a decorative formed housing and a top mounted cast aluminum electrical assembly. The optical assembly is seamlessly integrated into the form factor for beautiful daytime appearance and exceptionally uniform lighting at night.

Optical Assembly

The optical assembly consists of an edgemit waveguide light engine for unmatched visual comfort. Light from the LED module is distributed by proprietary wave guide technology to maximize uniformity and minimize glare. Configurable with CCT options of 2700K, 3000K, and 4000K. CRI is 70 minimum. Available with asymmetric, symmetric, or pathway distributions.

Mounting Style

Optional mounting styles include Quick Lock Stem, NPT threads, and horizontal arm.

Quick Lock Stem Mounting style is compatible with the following leveling fitters:

- Boston Harbor Decorative Arm Fitter (BHDF)
- GlasWerks Decorative Arm Fitter (GWDF)
- West Liberty Decorative Arm Fitter (WLDF)
- Ball Style Decorative Fitter (BADF)

Electrical Assembly

The cast aluminum electrical housing has a smooth domed contour. A (3) station terminal block is provided to accept #14 through #2 size wire. The electrical housing is hinged with a tool-less latch to provide easy access to the gear assembly. The unitized electrical assembly, containing the electronic driver and other electrical components, plugs into the quick disconnect receptacle. The pendant mount version has a welded stem (Quick Lock Stem Mounting), which aides in installation speed. The arm mount version is provided with two U-bolts with washers and nuts and two leveling set screws that lock the housing to a 2 inch nominal (2-3/8" O.D.) horizontal arm and allow a ±5° degree adjustment from horizontal to the cover.

Electrical System

Programmable LED driver with 0-10V dimming. Optional DALI dimming. Driver life is rated to at least 100,000 hours. Luminaire surge protection rating of 20kV/10kA per ANSI/IEEE C62.41.2.

Finish

The luminaire is finished with corrosion resistance super durable powder coat paint to ensure maximum durability. Finish is rated to 5,000 hours salt spray per ASTM B117.

Listing

The luminaire is CSA certified to US and Canadian standards. IP55 rated electrical chamber, IP66 rated LED optic chamber. 20kV/10kA extreme surge protection per ANSI/IEEE C136.2. Suitable for operation in ambient temperatures from -40°C to 40°C

DesignLights Consortium® (DLC) qualified product. Not all versions of this product may be DLC qualified. Please check the DLC Qualified Products List at www.designlights.org/ QPL to confirm which versions are qualified.

Government Procurement

BAA – Buy America(n) Act: Product qualifies as a domestic end product under the Buy American Act as implemented in the FAR and DFARS. Product also qualifies as manufactured in the United States under DOT Buy America regulations.

BABA – Build America Buy America: Product qualifies as produced in the United States under the definitions of the Build America, Buy America Act.

Please refer to www.acuitybrands.com/resources/buy-american for additional information.

Warranty

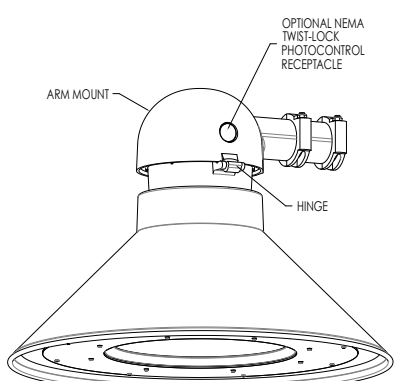
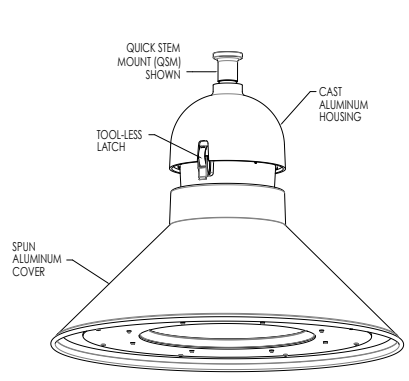
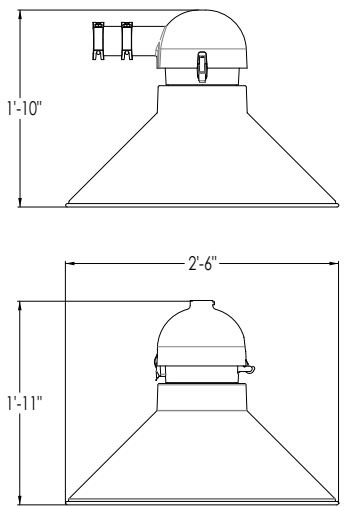
This is the only warranty provided and no other statements in this specification sheet create any warranty of any kind. All other express and implied warranties are disclaimed. Limited warranty located at: www.acuitybrands.com/support/warranty/terms-and-conditions

Note: Actual performance may differ as a result of end-user environment and application.

All values are design or typical values, measured under laboratory conditions at 25 °C. Specifications subject to change without notice.



DIMENSIONAL DATA



Maximum Weight - 51 lbs
Maximum Effective Projected Area - 1.2 ft²

GELF3

GlasWerks® Luminescent LED Hallbrook® Extended



ORDERING INFORMATION

Example: GELF3 P30 40K MVOLT ASY QSM BK

Cover Type	LED Lumen Package	Color Temperature	Voltage	Optics	Mounting Style	Finish Color
GELF3 Hallbrook® Extended	P10 P10 Performance Package	27K 2700K, 70 CRI	MVOLT 120-277V	ASY Asymmetric	ARM Horizontal Arm Mount	BK Black
	P20 P20 Performance Package	30K 3000K, 70 CRI	HVOLT 347-480V	SYM Symmetric PTH Pathway	NPT 1.5" NPT Thread	BZ Bronze
	P30 P30 Performance Package	40K 4000K, 70 CRI			QSM Quick Stem Mount	GH Graphite
	P40 P40 Performance Package				GN Green	
	P50 P50 Performance Package				GR Gray	
	P60 P60 Performance Package				WH White	
	P70 P70 Performance Package				RAL5002SDCR - BLUE	
	P80 P80 Performance Package					

GOOD

Options

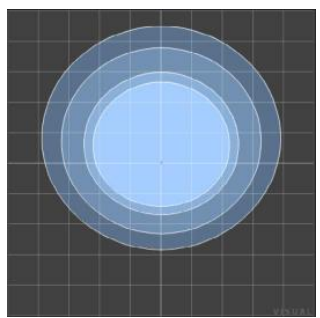
Control Options:	GOOD	Prewire Lead Options:
PR7 7 pin NEMA photocontrol receptacle		L03 3ft prewire leads
PR7E 7 pin NEMA photocontrol external		L10 10ft prewire leads
P34 Solid state long life photocontrol (347V)		L20 20ft prewire leads
P48 Solid state long life photocontrol (480V)		L25 25ft prewire leads
PCLL DLL photocontrol	GOOD	L30 30ft prewire leads
SH Shorting cap		
A0 Adjustable Output Module		NEMA Label Options:
DALI DALI dimming		NL1X1 1" x 1" NEMA label
WG Wire guard (ships separately)	GOOD	NL3X3 3" x 3" NEMA label
HSS House side shield (ships separately)		

GOOD

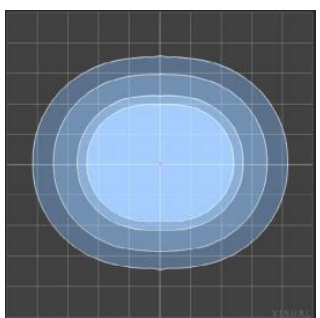
Accessories: Order as separate catalog number.

GELF3HSS	House side shield
GELF3WG	Wire guard

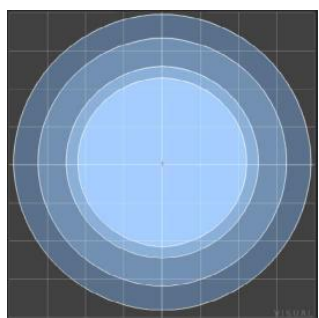
OPTICAL DISTRIBUTIONS



ASY



PTH



SYM

GELF3

GlasWerks® Luminescent LED Hallbrook® Extended



PERFORMANCE DATA
Lumen and Wattage Data

Lumen Package	System Wattage	Distribution	2700K, 70 CRI		3000K, 70 CRI		4000K, 70 CRI	
			Lumens	LPW	Lumens	LPW	Lumens	LPW
P10	30	ASY	3,738	126	3,870	130	4,122	139
		SYM	3,860	130	3,995	134	4,256	143
		PTH	3,681	124	3,811	128	4,059	137
P20	51	ASY	6,143	121	6,359	125	6,774	134
		SYM	6,343	125	6,565	129	6,994	138
		PTH	6,049	119	6,262	123	6,671	132
P30	62	ASY	7,377	118	7,636	122	8,135	130
		SYM	7,617	122	7,884	126	8,399	135
		PTH	7,264	116	7,520	120	8,011	128
P40	75	ASY	8,767	116	9,075	121	9,668	128
		SYM	9,052	120	9,370	124	9,982	133
		PTH	8,633	115	8,937	119	9,520	126
P50	95	ASY	10,810	114	11,190	118	11,920	125
		SYM	11,161	117	11,553	121	12,308	129
		PTH	10,645	112	11,019	116	11,738	123
P60	118	ASY	12,781	108	13,230	112	14,094	119
		SYM	13,196	111	13,660	115	14,551	123
		PTH	12,586	106	13,028	110	13,878	117
P70	151	ASY	15,726	104	16,278	108	17,341	115
		SYM	16,236	108	16,807	111	17,904	119
		PTH	15,485	103	16,029	106	17,076	113
P80	173	ASY	17,544	101	18,161	105	19,346	112
		SYM	18,114	105	18,750	108	19,974	115
		PTH	17,276	100	17,883	103	19,050	110

OPTIONS MATRIX

		Lumen Package								Voltage		Receptacle		Photocontrol				Dimming Options	
		P10	P20	P30	P40	P50	P60	P70	P80	MVOLT	HVOLT	PR7	PR7E	PCLL	PCL3	PCL4	SH	A0	DALI
Lumen Package	P10	N	N	N	N	N	N	N	N	Y	Y	Y	Y	Y	Y	Y	Y	Y	RFD*
	P20	N	N	N	N	N	N	N	N	Y	Y	Y	Y	Y	Y	Y	Y	Y	RFD*
	P30	N	N	N	N	N	N	N	N	Y	Y	Y	Y	Y	Y	Y	Y	Y	RFD*
	P40	N	N	N	N	N	N	N	N	Y	Y	Y	Y	Y	Y	Y	Y	Y	RFD*
	P50	N	N	N	N	N	N	N	N	Y	Y	Y	Y	Y	Y	Y	Y	Y	RFD
	P60	N	N	N	N	N	N	N	N	Y	Y	Y	Y	Y	Y	Y	Y	Y	RFD
	P70	N	N	N	N	N	N	N	N	Y	Y	Y	Y	Y	Y	Y	Y	Y	RFD
	P80	N	N	N	N	N	N	N	N	Y	Y	Y	Y	Y	Y	Y	Y	Y	RFD
Voltage	MVOLT	Y	Y	Y	Y	Y	Y	Y	Y	N	N	Y	Y	Y	Y	N	N	Y	RFD
	HVOLT	Y	Y	Y	Y	Y	Y	Y	Y	N	N	Y	Y	Y	Y	N	N	Y	N
Receptacle	PR7	Y	Y	Y	Y	Y	Y	Y	Y	Y	N	N	Y	Y	Y	Y	Y	Y	RFD
	PR7E	Y	Y	Y	Y	Y	Y	Y	Y	Y	N	N	Y	Y	Y	Y	Y	Y	RFD
Photocontrol	PCLL	Y	Y	Y	Y	Y	Y	Y	Y	Y	N	Y	Y	N	N	N	N	Y	RFD
	PCL3	Y	Y	Y	Y	Y	Y	Y	Y	N	Y	Y	Y	N	N	N	N	Y	RFD
	PCL4	Y	Y	Y	Y	Y	Y	Y	Y	N	Y	Y	Y	N	N	N	N	Y	RFD
	SH	Y	Y	Y	Y	Y	Y	Y	Y	Y	Y	Y	Y	N	N	N	N	Y	RFD
Dimming Options	A0	Y	Y	Y	Y	Y	Y	Y	Y	Y	Y	Y	Y	Y	Y	Y	Y	Y	N
	DALI	RFD*	RFD*	RFD*	RFD*	RFD	RFD	RFD	RFD	RFD	N	RFD	RFD	RFD	RFD	RFD	RFD	N	N

Y = combination is available
 N = combination is not available
 RFD = consult factory, additional information required
 RFD* = consult factory, additional information required, not CSA certified

GELF3

GlasWerks® Luminescent LED Hallbrook® Extended



LED Lumen Maintenance					
25,000 hours	36,000 hours	50,000 hours	60,000 hours	75,000 hours	100,000 hours
98%	96%	94%	93%	91%	88%

Lumen maintenance calculated according to TM-21 at 25°C ambient. Italicized values are extrapolated beyond the standard.

Adjustable Output (AO) Response		
AO Setting	% Lumen Output	% Wattage
8	100%	100%
7	94%	94%
6	82%	81%
5	70%	68%
4	58%	56%
3	46%	43%
2	33%	31%
1	21%	19%

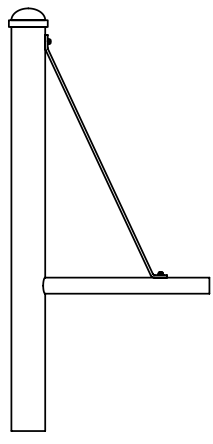
Luminaire Ambient Temperature Factor	
Ambient Temperature	Relative Lumen Output
0°C	1.03
15°C	1.02
20°C	1.01
25°C	1.00
30°C	0.99
35°C	0.99
40°C	0.98

FOUR (4)
ROADWAY
ARMS ARE
REQUIRED



Catalog Number	
Notes	Type

LSC
Lisbon Glaswerks Aluminum
Roadway Arm



General Description

The roadway arms shall be all aluminum, one-piece construction. The arms shall consist of a post or wall bracket mounting piece, a decorative support bracket, and a straight horizontal tube arm for luminaire mounting. The wall bracket shall have a flat aluminum wall plate for mounting. All welding shall be per ANSI/AWS D1.2. All welders shall be certified per ANSI/AWS D1.2.

Materials

- The post mounting piece and tube arm shall be from ASTM 6061 alloy.
- All hardware shall be stainless steel.

Installation

- The tenon fitter is designed to slipfit a 4-3/8 inch O.D. by 12 inch (G12) tall tenon and attach with socket set screws
- Arms shall have a 2-3/8" diameter straight horizontal tube for luminaire mounting
- The wall bracket shall have clearance holes for mounting to the wall (wall mounting hardware furnished by others)
- All hardware shall be tamper resistant stainless steel

Finish

- Utilize a polyester powder coat paint to ensure maximum durability.
- Rigorous multi-stage pre-treating and painting process yields a finish that achieves a scribe creepage rating of 8 (per ASTM D1654) after over 5,000 hours exposure to salt fog chamber (operated per ASTM B117) on standard and RAL finish options.
- RAL (RALxxxxSDCR) paint colors are Super Durable Corrosion Resistant, 80% gloss.

Warranty

1-year limited warranty. Complete warranty terms located at (HoloPhane Pole Warranty):
www.acuitybrands.com/support/warranty/terms-and-conditions

Note: Actual performance may differ as a result of end-user environment and application. Specifications subject to change without notice.

ORDERING INFORMATION

GOOD

Example: LSC 29IN 1A TN BK

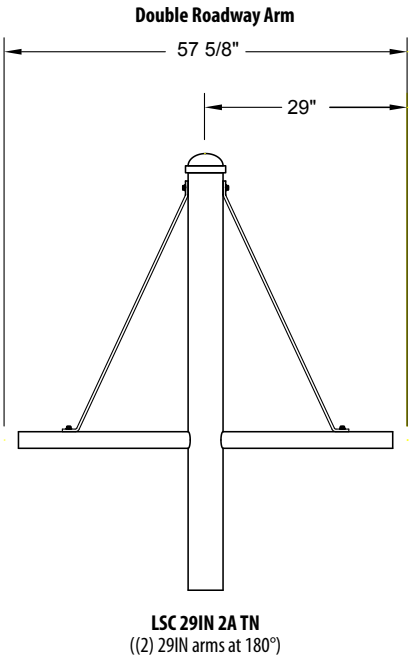
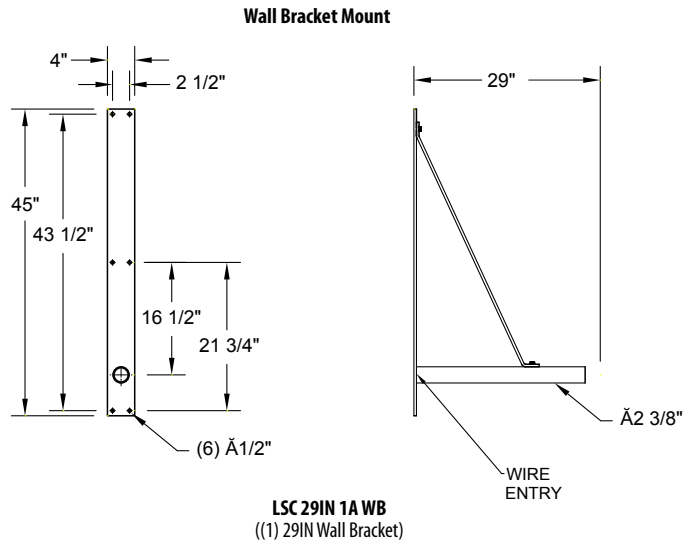
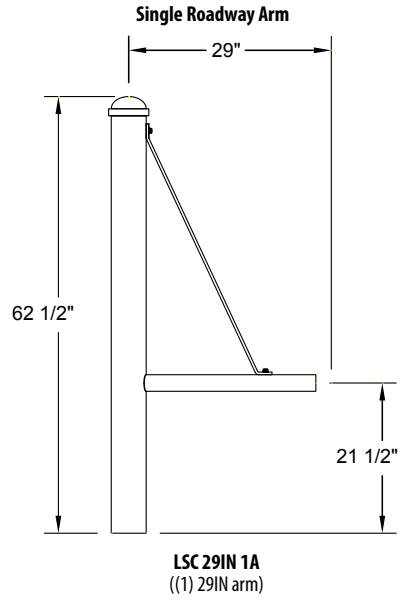
Series	Height/Length	Number of Arms/Orientation	Arm Connection	Finish
LSC Lisbon GlasWerks Aluminum Roadway Arm	29IN 29 Inches	1A Single Roadway Arm	TN Tenon mount.	BK Black
		2A Double Roadway Arm, 2 single arms @ 180°	WB Wall Bracket Mount	BZ Bronze
				CMC Customer matching color
				CTBS Standard color to be selected
				DB Dark Blue
				GN Green
				GH Graphite
				GR Gray
				PP Prime Painted
				RAL5002SDCR RAL Super Durable Corrosion Resistant, 80% Gloss Paint, replace xxxx with RAL number
				SL Silver
				WH White

Note: WB only available with 1A

LSC
Lisbon Glaswerks Aluminum Roadway Arm



DIMENSIONAL DATA & ORIENTATION

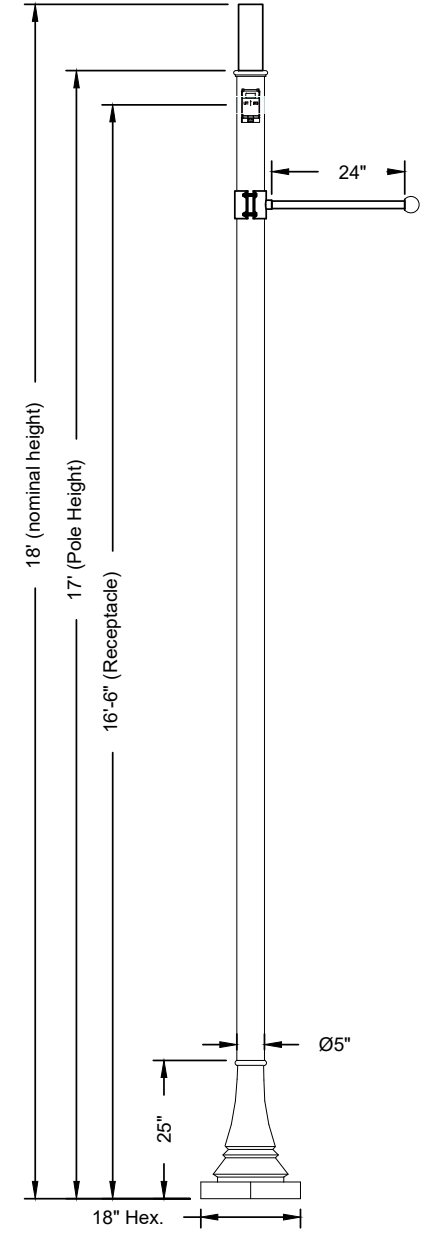


ARM	EPA (sqft)	Weight (LBS)
LSC 29IN 1A TN	2.4	30
LSC 29IN 2A TN	2.9	40
LSC 29IN 1A WB	2.2	25

FOUR (4)
POSTS ARE
REQUIRED

Princeton Series Pole

Aluminum, Smooth Straight S5J Shaft
Tenon: Ø4.3/8"x12", Finish: RAL5002 Super Durable Corrosion Resistant Finish
(1)GFI Receptacle, Small In-Use Weatherproof Cover
(1)24" Long, Clamp-on Banner Arm, Ball finial
3/4"x18" Anchor Bolts

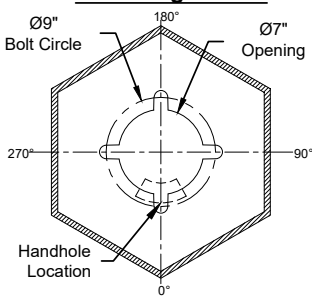


Accessory Mounting Detail

	Orientation	Height
RECEPTACLE		
CLAMP-ON BANNER ARM		

- CUSTOMER NOTES:**
- STANDARD SPECS NOT SHOWN HERE CAN BE FOUND ON SEPARATE CUT SHEETS (PLEASE SEE SALES).
 - CUSTOMER SHALL VERIFY ACCESSORY LOCATION IN TABLE AND PROVIDE PRIOR TO PRODUCTION.
 - ANCHORAGE DETAIL PROVIDED FOR VISUAL ONLY - DO NOT USE TO SET ANCHOR BOLTS.**
 - SIGNED APPROVAL TO ACCOMPANY PO.

Anchorage Detail



GOOD

Catalog #s:
Pole: PSA 17 S5J 18D G12 RAL5002SDCR GRD RP350 RFD346851
Anchor Bolts: AB-31-4
Receptacle: FGIUS RAL5002SDCR
Banner Arm: BA 24IN 1A CO S5J BL 075P RAL5002SDCR

Customer Signature:

Date:



Town of Gore Bay Street Lights

Gore Bay, Ontario

ORDER #: 3031-24-10351-0	TYPE:	DRAWING #:
REVISION:	REVISION DATE:	TSG 015824
DRAWN: AMS	ORIGIN DATE: 08/19/24	PAGE: 1 of 1

THIS DRAWING, WHEN APPROVED, SHALL BECOME THE COMPLETE SPECIFICATION FOR THE MATERIAL TO BE FURNISHED BY HOLOPHANE ON THE ORDER NOTED ABOVE. A UNIT OF SIMILAR DESIGN MAY BE SUPPLIED, BUT ONLY AFTER APPROVAL BY THE CUSTOMER IN WRITING. ON POLE ORDERS AN ANCHOR BOLT TEMPLATE PRINT WILL BE SUPPLIED WITH EACH ANCHOR BOLT ORDER TO MATCH THE POLE PROVIDED. THIS PRINT IS THE PROPERTY OF HOLOPHANE AND IS LOANED SUBJECT TO RETURN UPON DEMAND AND UPON EXPRESS CONDITION THAT IT WILL NOT BE USED DIRECTLY OR INDIRECTLY IN ANY WAY DETRIMENTAL TO OUR INTERESTS, AND ONLY IN CONNECTION WITH MATERIAL FURNISHED BY HOLOPHANE.



GELF3
GlasWerks® Luminescent
LED Hallbrook® Extended



Catalog Number	
Notes	Type

General Description

The architectural luminaire consists of a flat LED optical assembly shielded by a decorative formed housing and a top mounted cast aluminum electrical assembly. The optical assembly is seamlessly integrated into the form factor for beautiful daytime appearance and exceptionally uniform lighting at night.

Optical Assembly

The optical assembly consists of an edgemit waveguide light engine for unmatched visual comfort. Light from the LED module is distributed by proprietary wave guide technology to maximize uniformity and minimize glare. Configurable with CCT options of 2700K, 3000K, and 4000K. CRI is 70 minimum. Available with asymmetric, symmetric, or pathway distributions.

Mounting Style

Optional mounting styles include Quick Lock Stem, NPT threads, and horizontal arm.
Quick Lock Stem Mounting style is compatible with the following leveling fitters:
- Boston Harbor Decorative Arm Fitter (BHDF)
- GlasWerks Decorative Arm Fitter (GWDF)
- West Liberty Decorative Arm Fitter (WLDF)
- Ball Style Decorative Fitter (BADF)

Electrical Assembly

The cast aluminum electrical housing has a smooth domed contour. A (3) station terminal block is provided to accept #14 through #2 size wire. The electrical housing is hinged with a tool-less latch to provide easy access to the gear assembly. The unitized electrical assembly, containing the electronic driver and other electrical components, plugs into the quick disconnect receptacle. The pendant mount version has a welded stem (Quick Lock Stem Mounting), which aides in installation speed. The arm mount version is provided with two U-bolts with washers and nuts and two leveling set screws that lock the housing to a 2 inch nominal (2-3/8" O.D.) horizontal arm and allow a ±5° degree adjustment from horizontal to the cover.

Electrical System

Programmable LED driver with 0-10V dimming. Optional DALI dimming. Driver life is rated to at least 100,000 hours. Luminaire surge protection rating of 20kV/10kA per ANSI/IEEE C62.41.2.

Finish

The luminaire is finished with corrosion resistance super durable powder coat paint to ensure maximum durability. Finish is rated to 5,000 hours salt spray per ASTM B117.

Listing

The luminaire is CSA certified to US and Canadian standards. IP55 rated electrical chamber, IP66 rated LED optic chamber. 20kV/10kA extreme surge protection per ANSI/IEEE C136.2. Suitable for operation in ambient temperatures from -40°C to 40°C
DesignLights Consortium® (DLC) qualified product. Not all versions of this product may be DLC qualified. Please check the DLC Qualified Products List at www.designlights.org/ QPL to confirm which versions are qualified.

Government Procurement

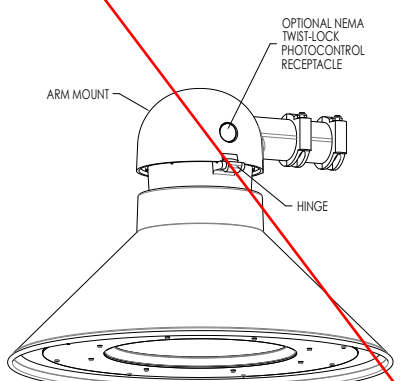
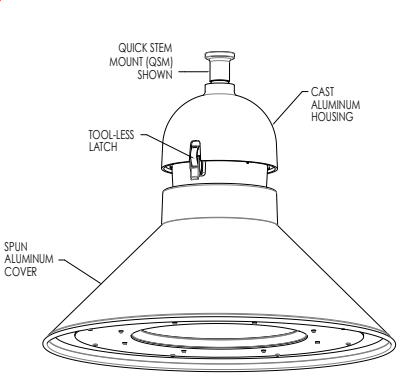
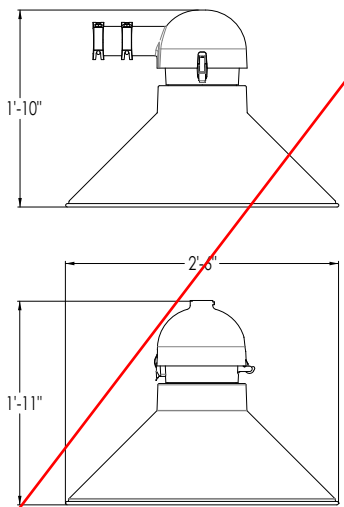
BAA – Buy America(n) Act: Product qualifies as a domestic end product under the Buy American Act as implemented in the FAR and DFARS. Product also qualifies as manufactured in the United States under DOT Buy America regulations.
BABA – Build America Buy America: Product qualifies as produced in the United States under the definitions of the Build America, Buy America Act.
Please refer to www.acuitybrands.com/resources/buy-american for additional information.

Warranty

This is the only warranty provided and no other statements in this specification sheet create any warranty of any kind. All other express and implied warranties are disclaimed. Limited warranty located at: www.acuitybrands.com/support/warranty/terms-and-conditions

Note: Actual performance may differ as a result of end-user environment and application.
All values are design or typical values, measured under laboratory conditions at 25 °C.
Specifications subject to change without notice.

DIMENSIONAL DATA



Maximum Weight - 51 lbs
Maximum Effective Projected Area - 1.2 ft²

GELF3

GlasWerks® Luminescent LED Hallbrook® Extended



ORDERING INFORMATION

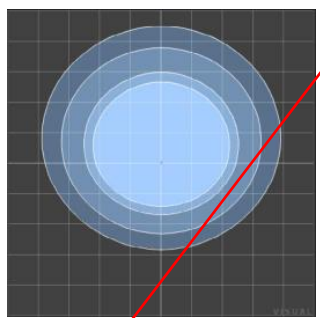
Example: GELF3 P30 40K MVOLT ASY QSM BK

Cover Type	LED Lumen Package	Color Temperature	Voltage	Optics	Mounting Style	Finish Color
GELF3 Hallbrook® Extended	P10 P10 Performance Package	27K 2700K, 70 CRI	MVOLT 120-277V	ASY Asymmetric	ARM Horizontal Arm Mount	BK Black
	P20 P20 Performance Package	30K 3000K, 70 CRI	HVOLT 347-480V	SYM Symmetric	NPT 1.5" NPT Thread	BZ Bronze
	P30 P30 Performance Package	40K 4000K, 70 CRI		PTH Pathway	QSM Quick Stem Mount	GH Graphite
	P40 P40 Performance Package					GN Green
	P50 P50 Performance Package					GR Gray
	P60 P60 Performance Package					WH White
	P70 P70 Performance Package					RAL5002SDCR - BLUE
	P80 P80 Performance Package					

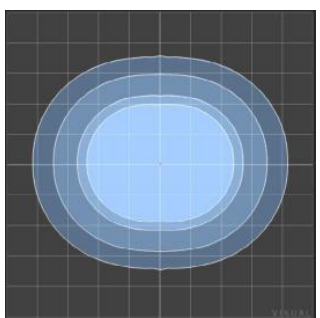
Options	
Control Options:	
PR7 7 pin NEMA photocontrol receptacle	Prewire Lead Options:
PR7/E 7 pin NEMA photocontrol external	L03 3ft prewire leads
P34 Solid state long life photocontrol (347V)	L10 10ft prewire leads
P48 Solid state long life photocontrol (480V)	L20 20ft prewire leads
PCLL DLL photocontrol	L25 25ft prewire leads
SH Shorting cap	L30 30ft prewire leads
A0 Adjustable Output Module	NEMA Label Options:
DALI DALI dimming	NL1X1 1" x 1" NEMA label
WG Wire guard (ships separately)	NL3X3 3" x 3" NEMA label
HSS House side shield (ships separately)	

Accessories: Order as separate catalog number.	
GELF3HSS	House side shield
GELF3WG	Wire guard

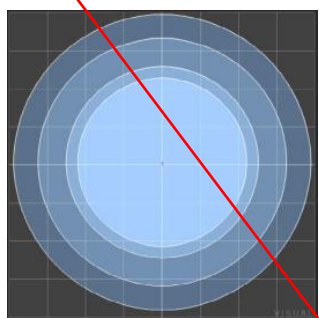
OPTICAL DISTRIBUTIONS



ASY



PTH



SYM

GELF3

GlasWerks® Luminescent LED Hallbrook® Extended



PERFORMANCE DATA
Lumen and Wattage Data

Lumen Package	System Wattage	Distribution	2700K, 70 CRI		3000K, 70 CRI		4000K, 70 CRI	
			Lumens	LPW	Lumens	LPW	Lumens	LPW
P10	30	ASY	3,738	126	3,870	130	4,122	139
		SYM	3,860	130	3,995	134	4,256	143
		PTH	3,681	124	3,811	128	4,059	137
P20	51	ASY	6,143	121	6,359	125	6,774	134
		SYM	6,343	125	6,565	129	6,994	138
		PTH	6,049	119	6,262	123	6,671	132
P30	62	ASY	7,377	118	7,636	122	8,135	130
		SYM	7,617	122	7,884	126	8,399	135
		PTH	7,264	116	7,520	120	8,011	128
P40	75	ASY	8,767	116	9,075	121	9,668	128
		SYM	9,052	120	9,370	124	9,982	133
		PTH	8,633	115	8,937	119	9,520	126
P50	95	ASY	10,810	114	11,190	118	11,920	125
		SYM	11,161	117	11,553	121	12,308	129
		PTH	10,645	112	11,019	116	11,738	123
P60	118	ASY	12,781	108	13,230	112	14,094	119
		SYM	13,196	111	13,660	115	14,551	123
		PTH	12,586	106	13,028	110	13,878	117
P70	151	ASY	15,726	104	16,278	108	17,341	115
		SYM	16,236	108	16,807	111	17,904	119
		PTH	15,485	103	16,029	106	17,076	113
P80	173	ASY	17,544	101	18,161	105	19,346	112
		SYM	18,114	105	18,750	108	19,974	115
		PTH	17,276	100	17,883	103	19,050	110

OPTIONS MATRIX

		Lumen Package								Voltage		Receptacle		Photocontrol				Dimming Options	
		P10	P20	P30	P40	P50	P60	P70	P80	MVOLT	HVOLT	PR7	PR7E	PCLL	PCL3	PCL4	SH	A0	DALI
Lumen Package	P10		N	N	N	N	N	N	N	Y	Y	Y	Y	Y	Y	Y	Y	Y	RFD*
	P20	N		N	N	N	N	N	N	Y	Y	Y	Y	Y	Y	Y	Y	Y	RFD*
	P30	N	N		N	N	N	N	N	Y	Y	Y	Y	Y	Y	Y	Y	Y	RFD*
	P40	N	N	N		N	N	N	N	Y	Y	Y	Y	Y	Y	Y	Y	Y	RFD*
	P50	N	N	N	N		N	N	N	Y	Y	Y	Y	Y	Y	Y	Y	Y	RFD
	P60	N	N	N	N	N		N	N	Y	Y	Y	Y	Y	Y	Y	Y	Y	RFD
	P70	N	N	N	N	N	N		N	Y	Y	Y	Y	Y	Y	Y	Y	Y	RFD
	P80	N	N	N	N	N	N	N		Y	Y	Y	Y	Y	Y	Y	Y	Y	RFD
Voltage	MVOLT	Y	Y	Y	Y	Y	Y	Y	Y		N	Y	Y	Y	Y	N	N	Y	Y
	HVOLT	Y	Y	Y	Y	Y	Y	Y	Y	N		Y	Y	N	Y	Y	Y	Y	N
Receptacle	PR7	Y	Y	Y	Y	Y	Y	Y	Y	Y	Y		N	Y	Y	Y	Y	Y	RFD
	PR7E	Y	Y	Y	Y	Y	Y	Y	Y	Y	Y	N		Y	Y	Y	Y	Y	RFD
Photocontrol	PCLL	Y	Y	Y	Y	Y	Y	Y	Y	Y	N	Y	Y		N	N	N	Y	RFD
	PCL3	Y	Y	Y	Y	Y	Y	Y	Y	N	Y	Y	Y	N		N	N	Y	RFD
	PCL4	Y	Y	Y	Y	Y	Y	Y	Y	N	Y	Y	Y	N	N		N	Y	RFD
	SH	Y	Y	Y	Y	Y	Y	Y	Y	Y	Y	Y	Y	N	N	N		Y	RFD
Dimming Options	A0	Y	Y	Y	Y	Y	Y	Y	Y	Y	Y	Y	Y	Y	Y	Y	Y	Y	N
	DALI	RFD*	RFD*	RFD*	RFD*	RFD	RFD	RFD	RFD	RFD	N	RFD	RFD	RFD	RFD	RFD	RFD	N	

Y = combination is available
 N = combination is not available
 RFD = consult factory, additional information required
 RFD* = consult factory, additional information required, not CSA certified

GELF3

GlasWerks® Luminescent LED Hallbrook® Extended



LED Lumen Maintenance					
25,000 hours	36,000 hours	50,000 hours	60,000 hours	75,000 hours	100,000 hours
98%	96%	94%	93%	91%	88%

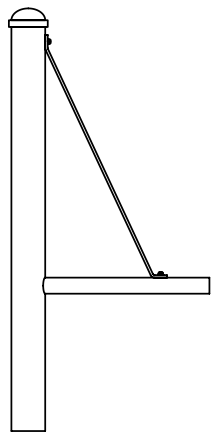
Lumen maintenance calculated according to TM-21 at 25°C ambient. Italicized values are extrapolated beyond the standard.

Adjustable Output (AO) Response		
AO Setting	% Lumen Output	% Wattage
8	100%	100%
7	94%	94%
6	82%	81%
5	70%	68%
4	58%	56%
3	46%	43%
2	33%	31%
1	21%	19%

Luminaire Ambient Temperature Factor	
Ambient Temperature	Relative Lumen Output
0°C	1.03
15°C	1.02
20°C	1.01
25°C	1.00
30°C	0.99
35°C	0.99
40°C	0.98



LSC
Lisbon Glaswerks Aluminum
Roadway Arm



Catalog Number	
Notes	Type

General Description

The roadway arms shall be all aluminum, one-piece construction. The arms shall consist of a post or wall bracket mounting piece, a decorative support bracket, and a straight horizontal tube arm for luminaire mounting. The wall bracket shall have a flat aluminum wall plate for mounting. All welding shall be per ANSI/AWS D1.2. All welders shall be certified per ANSI/AWS D1.2.

Materials

- The post mounting piece and tube arm shall be from ASTM 6061 alloy.
- All hardware shall be stainless steel.

Installation

- The tenon fitter is designed to slipfit a 4-3/8 inch O.D. by 12 inch (G12) tall tenon and attach with socket set screws
- Arms shall have a 2-3/8" diameter straight horizontal tube for luminaire mounting
- The wall bracket shall have clearance holes for mounting to the wall (wall mounting hardware furnished by others)
- All hardware shall be tamper resistant stainless steel

Finish

- Utilize a polyester powder coat paint to ensure maximum durability.
- Rigorous multi-stage pre-treating and painting process yields a finish that achieves a scribe creepage rating of 8 (per ASTM D1654) after over 5,000 hours exposure to salt fog chamber (operated per ASTM B117) on standard and RAL finish options.
- RAL (RALxxxxSDCR) paint colors are Super Durable Corrosion Resistant, 80% gloss.

Warranty

1-year limited warranty. Complete warranty terms located at (Holophane Pole Warranty): www.acuitybrands.com/support/warranty/terms-and-conditions

Note: Actual performance may differ as a result of end-user environment and application. Specifications subject to change without notice.

ORDERING INFORMATION

Example: LSC 29IN 1A TN BK

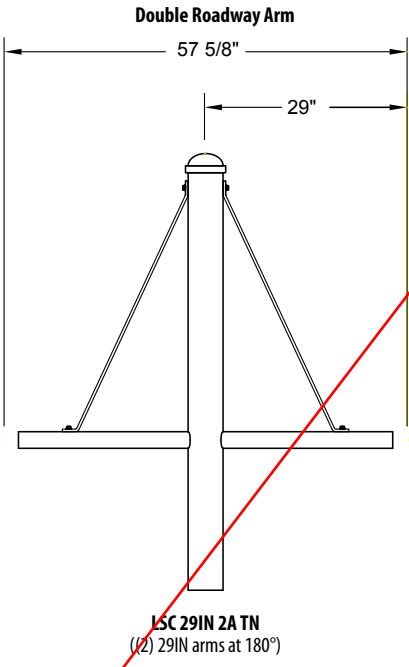
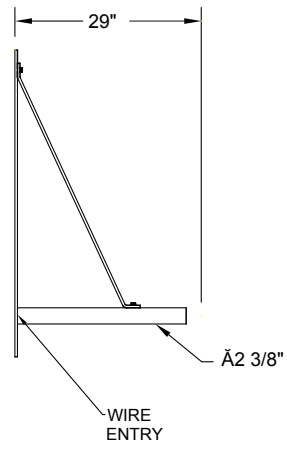
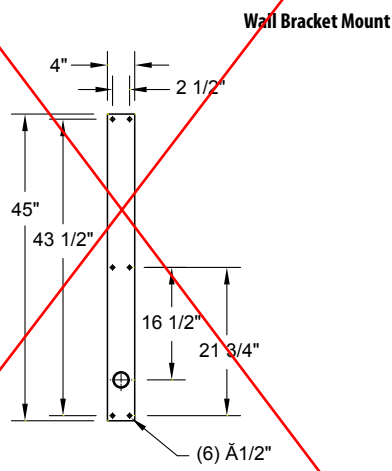
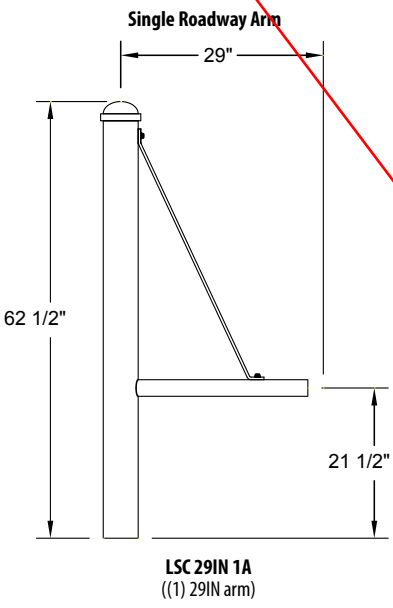
Series	Height/Length	Number of Arms/Orientation	Arm Connection	Finish
LSC Lisbon GlasWerks Aluminum Roadway Arm	29IN 29 Inches	1A Single Roadway Arm	TN Tenon mount.	BK Black
		2A Double Roadway Arm, 2 single arms @ 180°	WB Wall Bracket Mount	BZ Bronze
				CMC Customer matching color
				CTBS Standard color to be selected
				DB Dark Blue
				GN Green
				GH Graphite
				GR Gray
				PP Prime Painted
				RAL5002SDCR RAL Super Durable Corrosion Resistant, 80% Gloss Paint, replace xxxx with RAL number
				SL Silver
				WH White

Note: WB only available with 1A

LSC
Lisbon Glaswerks Aluminum Roadway Arm



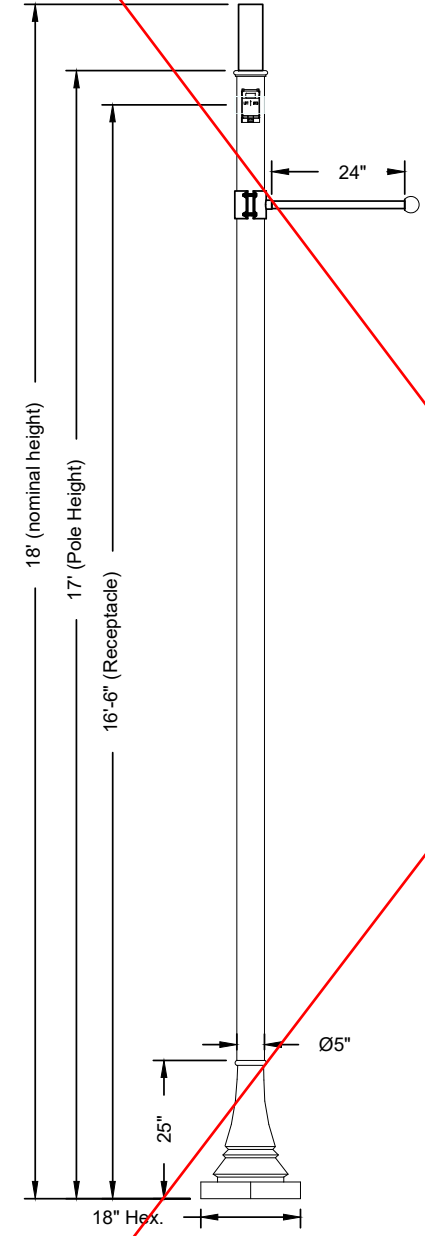
DIMENSIONAL DATA & ORIENTATION



ARM	EPA (sqft)	Weight (LBS)
LSC 29IN 1A TN	2.4	30
LSC 29IN 2A TN	2.9	40
LSC 29IN 1A WB	2.2	25

Princeton Series Pole

Aluminum, Smooth Straight S5J Shaft
Tenon: Ø4.3/8"x12", Finish: RAL5002 Super Durable Corrosion Resistant Finish
(1)GF1 Receptacle, Small In-Use Weatherproof Cover
(1)24" Long, Clamp-on Banner Arm, Ball finial
3/4"x18" Anchor Bolts

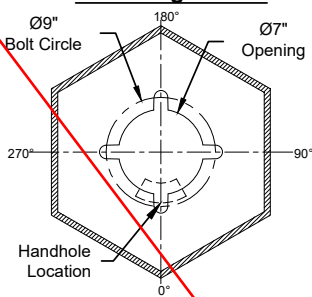


Accessory Mounting Detail

	Orientation	Height
RECEPTACLE		
CLAMP-ON BANNER ARM		

- CUSTOMER NOTES:**
- STANDARD SPECS NOT SHOWN HERE CAN BE FOUND ON SEPARATE CUT SHEETS (PLEASE SEE SALES).
 - CUSTOMER SHALL VERIFY ACCESSORY LOCATION IN TABLE AND PROVIDE PRIOR TO PRODUCTION.
 - ANCHORAGE DETAIL PROVIDED FOR VISUAL ONLY - DO NOT USE TO SET ANCHOR BOLTS.**
 - SIGNED APPROVAL TO ACCOMPANY PO.

Anchorage Detail



Catalog #s:
Pole: PSA 17 S5J 18D G12 RAL5002SDCR GRD RP350 **RFD346851**
Anchor Bolts: AB-31-4
Receptacle: FGIUS RAL5002SDCR
Banner Arm: BA 24IN 1A CO S5J BL 075P RAL5002SDCR

Customer Signature:

Date:



Town of Gore Bay Street Lights
Gore Bay, Ontario

ORDER #: 3031-24-10351-0	TYPE:	DRAWING #:
REVISION:	REVISION DATE:	TSG 015824
DRAWN: AMS	ORIGIN DATE: 08/19/24	PAGE: 1 of 1

THIS DRAWING, WHEN APPROVED, SHALL BECOME THE COMPLETE SPECIFICATION FOR THE MATERIAL TO BE FURNISHED BY HOLOPHANE ON THE ORDER NOTED ABOVE. A UNIT OF SIMILAR DESIGN MAY BE SUPPLIED, BUT ONLY AFTER APPROVAL BY THE CUSTOMER IN WRITING. ON POLE ORDERS AN ANCHOR BOLT TEMPLATE PRINT WILL BE SUPPLIED WITH EACH ANCHOR BOLT ORDER TO MATCH THE POLE PROVIDED. THIS PRINT IS THE PROPERTY OF HOLOPHANE AND IS LOANED SUBJECT TO RETURN UPON DEMAND AND UPON EXPRESS CONDITION THAT IT WILL NOT BE USED DIRECTLY OR INDIRECTLY IN ANY WAY DETRIMENTAL TO OUR INTERESTS, AND ONLY IN CONNECTION WITH MATERIAL FURNISHED BY HOLOPHANE.



Catalog Number	
Notes	Type

GELF3
GlasWerks® Luminescent
LED Hallbrook® Extended



General Description

The architectural luminaire consists of a flat LED optical assembly shielded by a decorative formed housing and a top mounted cast aluminum electrical assembly. The optical assembly is seamlessly integrated into the form factor for beautiful daytime appearance and exceptionally uniform lighting at night.

Optical Assembly

The optical assembly consists of an edgemit waveguide light engine for unmatched visual comfort. Light from the LED module is distributed by proprietary wave guide technology to maximize uniformity and minimize glare. Configurable with CCT options of 2700K, 3000K, and 4000K. CRI is 70 minimum. Available with asymmetric, symmetric, or pathway distributions.

Mounting Style

Optional mounting styles include Quick Lock Stem, NPT threads, and horizontal arm.
Quick Lock Stem Mounting style is compatible with the following leveling fitters:
- Boston Harbor Decorative Arm Fitter (BHDF)
- GlasWerks Decorative Arm Fitter (GWDF)
- West Liberty Decorative Arm Fitter (WLDF)
- Ball Style Decorative Fitter (BADF)

Electrical Assembly

The cast aluminum electrical housing has a smooth domed contour. A (3) station terminal block is provided to accept #14 through #2 size wire. The electrical housing is hinged with a tool-less latch to provide easy access to the gear assembly. The unitized electrical assembly, containing the electronic driver and other electrical components, plugs into the quick disconnect receptacle. The pendant mount version has a welded stem (Quick Lock Stem Mounting), which aides in installation speed. The arm mount version is provided with two U-bolts with washers and nuts and two leveling set screws that lock the housing to a 2 inch nominal (2-3/8" O.D.) horizontal arm and allow a ±5° degree adjustment from horizontal to the cover.

Electrical System

Programmable LED driver with 0-10V dimming. Optional DALI dimming. Driver life is rated to at least 100,000 hours. Luminaire surge protection rating of 20kV/10kA per ANSI/IEEE C62.41.2.

Finish

The luminaire is finished with corrosion resistance super durable powder coat paint to ensure maximum durability. Finish is rated to 5,000 hours salt spray per ASTM B117.

Listing

The luminaire is CSA certified to US and Canadian standards. IP55 rated electrical chamber, IP66 rated LED optic chamber. 20kV/10kA extreme surge protection per ANSI/IEEE C136.2. Suitable for operation in ambient temperatures from -40°C to 40°C
DesignLights Consortium® (DLC) qualified product. Not all versions of this product may be DLC qualified. Please check the DLC Qualified Products List at www.designlights.org/ QPL to confirm which versions are qualified.

Government Procurement

BAA – Buy America(n) Act: Product qualifies as a domestic end product under the Buy American Act as implemented in the FAR and DFARS. Product also qualifies as manufactured in the United States under DOT Buy America regulations.
BABA – Build America Buy America: Product qualifies as produced in the United States under the definitions of the Build America, Buy America Act.
Please refer to www.acuitybrands.com/resources/buy-american for additional information.

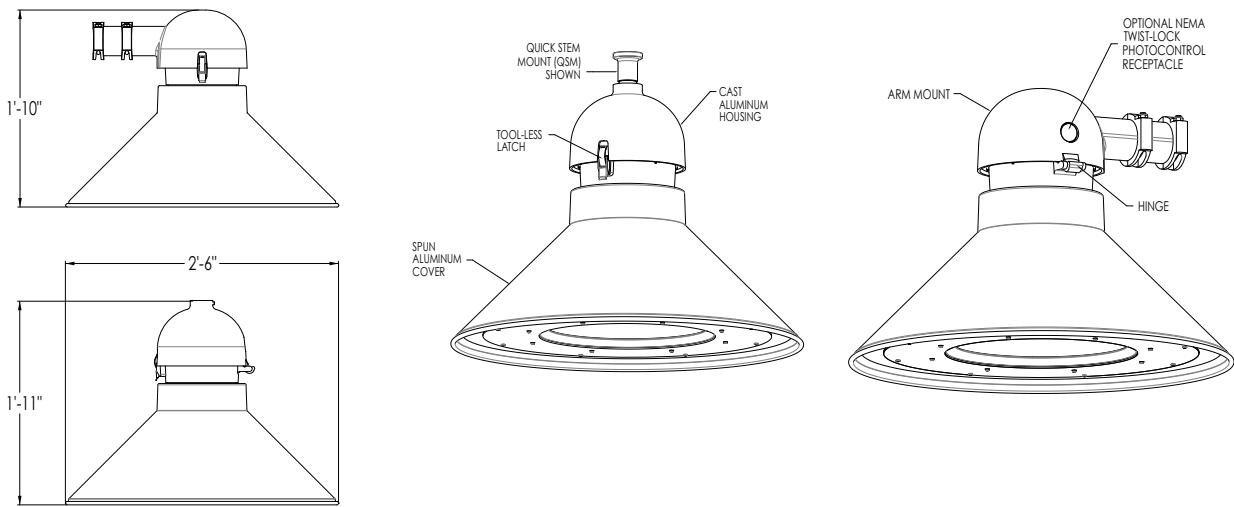
Warranty

This is the only warranty provided and no other statements in this specification sheet create any warranty of any kind. All other express and implied warranties are disclaimed. Limited warranty located at: www.acuitybrands.com/support/warranty/terms-and-conditions

Note: Actual performance may differ as a result of end-user environment and application.
All values are design or typical values, measured under laboratory conditions at 25 °C.
Specifications subject to change without notice.



DIMENSIONAL DATA



Maximum Weight - 51 lbs
Maximum Effective Projected Area - 1.2 ft²

GELF3

GlasWerks® Luminescent LED Hallbrook® Extended



ORDERING INFORMATION

LIGHT FIXTURES ARE TO BE P20

Example: GELF3 P30 40K MVOLT ASY QSM BK

Cover Type	LED Lumen Package	Color Temperature	Voltage	Optics	Mounting Style	Finish Color
GELF3 Hallbrook® Extended	P10 P10 Performance Package	27K 2700K, 70 CRI	MVOLT 120-277V	ASY Asymmetric	ARM Horizontal Arm Mount	BK Black
	P20 P20 Performance Package	30K 3000K, 70 CRI	HVOLT 347-480V	SYM Symmetric	NPT 1.5" NPT Thread	BZ Bronze
	P30 P30 Performance Package	40K 4000K, 70 CRI		PTH Pathway	QSM Quick Stem Mount	GH Graphite
	P40 P40 Performance Package					GN Green
	P50 P50 Performance Package					GR Gray
	P60 P60 Performance Package					WH White
	P70 P70 Performance Package					RAL5002SDCR - BLUE
	P80 P80 Performance Package					

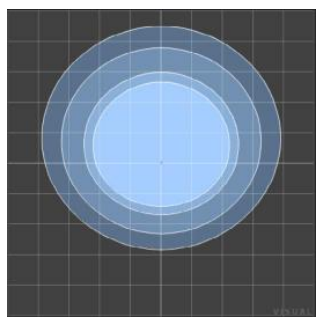
GOOD

Options	
Control Options:	GOOD
PR7 7 pin NEMA photocontrol receptacle	
PR7E 7 pin NEMA photocontrol external	
P34 Solid state long life photocontrol (347V)	
P48 Solid state long life photocontrol (480V)	
PCLL DLL photocontrol	GOOD
SH Shorting cap	
A0 Adjustable Output Module	
DALI DALI dimming	
WG Wire guard (ships separately)	
HSS House side shield (ships separately)	
Prewire Lead Options:	
L03 3ft prewire leads	
L10 10ft prewire leads	
L20 20ft prewire leads	GOOD
L25 25ft prewire leads	
L30 30ft prewire leads	
NEMA Label Options:	
NL1X1 1" x 1" NEMA label	
NL3X3 3" x 3" NEMA label	

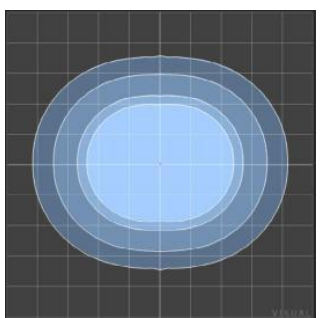
REQUIRES HOUSE SIDE SHIELD

Accessories: Order as separate catalog number.	
GELF3HSS	House side shield
GELF3WG	Wire guard

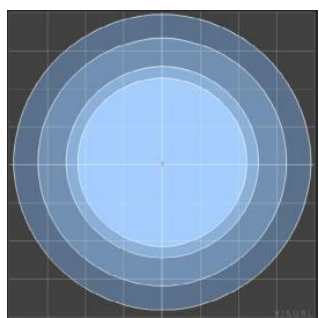
OPTICAL DISTRIBUTIONS



ASY



PTH



SYM

GELF3

GlasWerks® Luminescent LED Hallbrook® Extended



PERFORMANCE DATA

Lumen and Wattage Data

Lumen Package	System Wattage	Distribution	2700K, 70 CRI		3000K, 70 CRI		4000K, 70 CRI	
			Lumens	LPW	Lumens	LPW	Lumens	LPW
P10	30	ASY	3,738	126	3,870	130	4,122	139
		SYM	3,860	130	3,995	134	4,256	143
		PTH	3,681	124	3,811	128	4,059	137
P20	51	ASY	6,143	121	6,359	125	6,774	134
		SYM	6,343	125	6,565	129	6,994	138
		PTH	6,049	119	6,262	123	6,671	132
P30	62	ASY	7,377	118	7,636	122	8,135	130
		SYM	7,617	122	7,884	126	8,399	135
		PTH	7,264	116	7,520	120	8,011	128
P40	75	ASY	8,767	116	9,075	121	9,668	128
		SYM	9,052	120	9,370	124	9,982	133
		PTH	8,633	115	8,937	119	9,520	126
P50	95	ASY	10,810	114	11,190	118	11,920	125
		SYM	11,161	117	11,553	121	12,308	129
		PTH	10,645	112	11,019	116	11,738	123
P60	118	ASY	12,781	108	13,230	112	14,094	119
		SYM	13,196	111	13,660	115	14,551	123
		PTH	12,586	106	13,028	110	13,878	117
P70	151	ASY	15,726	104	16,278	108	17,341	115
		SYM	16,236	108	16,807	111	17,904	119
		PTH	15,485	103	16,029	106	17,076	113
P80	173	ASY	17,544	101	18,161	105	19,346	112
		SYM	18,114	105	18,750	108	19,974	115
		PTH	17,276	100	17,883	103	19,050	110

OPTIONS MATRIX

		Lumen Package								Voltage		Receptacle		Photocontrol				Dimming Options	
		P10	P20	P30	P40	P50	P60	P70	P80	MVOLT	HVOLT	PR7	PR7E	PCLL	PCL3	PCL4	SH	AO	DALI
Lumen Package	P10	N	N	N	N	N	N	N	N	Y	Y	Y	Y	Y	Y	Y	Y	Y	RFD*
	P20	N	N	N	N	N	N	N	N	Y	Y	Y	Y	Y	Y	Y	Y	Y	RFD*
	P30	N	N	N	N	N	N	N	N	Y	Y	Y	Y	Y	Y	Y	Y	Y	RFD*
	P40	N	N	N	N	N	N	N	N	Y	Y	Y	Y	Y	Y	Y	Y	Y	RFD*
	P50	N	N	N	N	N	N	N	N	Y	Y	Y	Y	Y	Y	Y	Y	Y	RFD
	P60	N	N	N	N	N	N	N	N	Y	Y	Y	Y	Y	Y	Y	Y	Y	RFD
	P70	N	N	N	N	N	N	N	N	Y	Y	Y	Y	Y	Y	Y	Y	Y	RFD
	P80	N	N	N	N	N	N	N	N	Y	Y	Y	Y	Y	Y	Y	Y	Y	RFD
Voltage	MVOLT	Y	Y	Y	Y	Y	Y	Y	Y	N	N	Y	Y	Y	Y	N	N	Y	RFD
	HVOLT	Y	Y	Y	Y	Y	Y	Y	Y	N	N	Y	Y	Y	Y	N	N	Y	N
Receptacle	PR7	Y	Y	Y	Y	Y	Y	Y	Y	Y	N	N	Y	Y	Y	Y	Y	Y	RFD
	PR7E	Y	Y	Y	Y	Y	Y	Y	Y	Y	N	N	Y	Y	Y	Y	Y	Y	RFD
Photocontrol	PCLL	Y	Y	Y	Y	Y	Y	Y	Y	Y	N	Y	Y	N	N	N	N	Y	RFD
	PCL3	Y	Y	Y	Y	Y	Y	Y	Y	N	Y	Y	Y	N	N	N	N	Y	RFD
	PCL4	Y	Y	Y	Y	Y	Y	Y	Y	N	Y	Y	Y	N	N	N	N	Y	RFD
	SH	Y	Y	Y	Y	Y	Y	Y	Y	Y	Y	Y	Y	N	N	N	N	Y	RFD
Dimming Options	AO	Y	Y	Y	Y	Y	Y	Y	Y	Y	Y	Y	Y	Y	Y	Y	Y	Y	N
	DALI	RFD*	RFD*	RFD*	RFD*	RFD	RFD	RFD	RFD	RFD	N	RFD	RFD	RFD	RFD	RFD	RFD	N	N

Y = combination is available
 N = combination is not available
 RFD = consult factory, additional information required
 RFD* = consult factory, additional information required, not CSA certified

GELF3

GlasWerks® Luminescent LED Hallbrook® Extended



LED Lumen Maintenance					
25,000 hours	36,000 hours	50,000 hours	60,000 hours	75,000 hours	100,000 hours
98%	96%	94%	93%	91%	88%

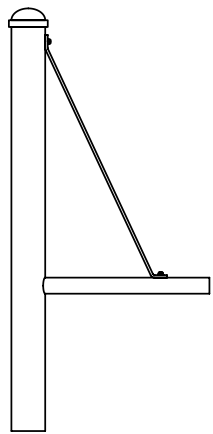
Lumen maintenance calculated according to TM-21 at 25°C ambient. Italicized values are extrapolated beyond the standard.

Adjustable Output (AO) Response		
AO Setting	% Lumen Output	% Wattage
8	100%	100%
7	94%	94%
6	82%	81%
5	70%	68%
4	58%	56%
3	46%	43%
2	33%	31%
1	21%	19%

Luminaire Ambient Temperature Factor	
Ambient Temperature	Relative Lumen Output
0°C	1.03
15°C	1.02
20°C	1.01
25°C	1.00
30°C	0.99
35°C	0.99
40°C	0.98



LSC
Lisbon Glaswerks Aluminum
Roadway Arm



Catalog Number	
Notes	Type

General Description

The roadway arms shall be all aluminum, one-piece construction. The arms shall consist of a post or wall bracket mounting piece, a decorative support bracket, and a straight horizontal tube arm for luminaire mounting. The wall bracket shall have a flat aluminum wall plate for mounting. All welding shall be per ANSI/AWS D1.2. All welders shall be certified per ANSI/AWS D1.2.

Materials

- The post mounting piece and tube arm shall be from ASTM 6061 alloy.
- All hardware shall be stainless steel.

Installation

- The tenon fitter is designed to slipfit a 4-3/8 inch O.D. by 12 inch (G12) tall tenon and attach with socket set screws
- Arms shall have a 2-3/8" diameter straight horizontal tube for luminaire mounting
- The wall bracket shall have clearance holes for mounting to the wall (wall mounting hardware furnished by others)
- All hardware shall be tamper resistant stainless steel

Finish

- Utilize a polyester powder coat paint to ensure maximum durability.
- Rigorous multi-stage pre-treating and painting process yields a finish that achieves a scribe creepage rating of 8 (per ASTM D1654) after over 5,000 hours exposure to salt fog chamber (operated per ASTM B117) on standard and RAL finish options.
- RAL (RALxxxxSDCR) paint colors are Super Durable Corrosion Resistant, 80% gloss.

Warranty

1-year limited warranty. Complete warranty terms located at (HoloPhane Pole Warranty):
www.acuitybrands.com/support/warranty/terms-and-conditions

Note: Actual performance may differ as a result of end-user environment and application. Specifications subject to change without notice.

ORDERING INFORMATION

APPROVED

Example: LSC 29IN 1A TN BK

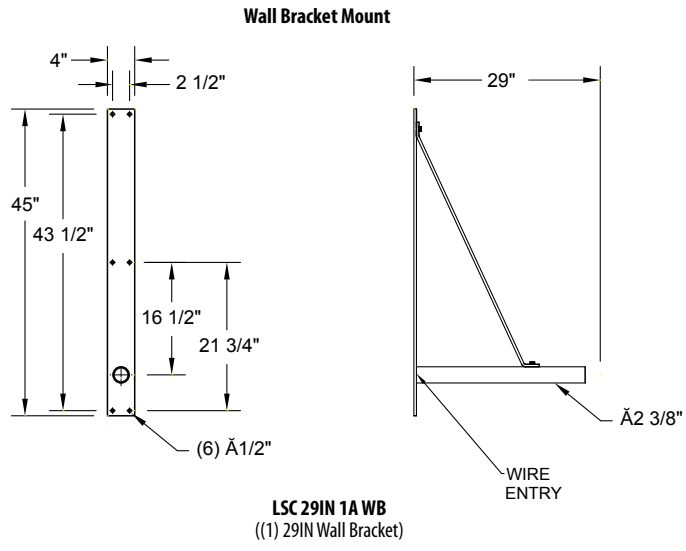
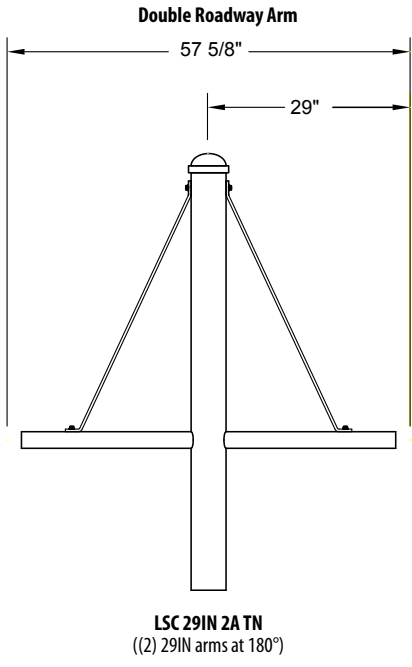
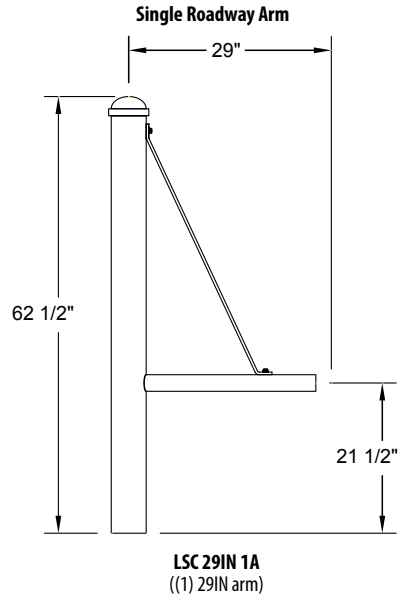
Series	Height/Length	Number of Arms/Orientation	Arm Connection	Finish
LSC Lisbon GlasWerks Aluminum Roadway Arm	29IN 29 Inches	1A Single Roadway Arm	TN Tenon mount	BK Black
		2A Double Roadway Arm, 2 single arms @ 180°	WB Wall Bracket Mount	BZ Bronze
				CMC Customer matching color
				CTBS Standard color to be selected
				DB Dark Blue
				GN Green
				GH Graphite
				GR Gray
				PP Prime Painted
				RAL5002SDCR RAL Super Durable Corrosion Resistant, 80% Gloss Paint, replace xxxx with RAL number
				SL Silver
				WH White

Note: WB only available with 1A

LSC
Lisbon Glaswerks Aluminum Roadway Arm



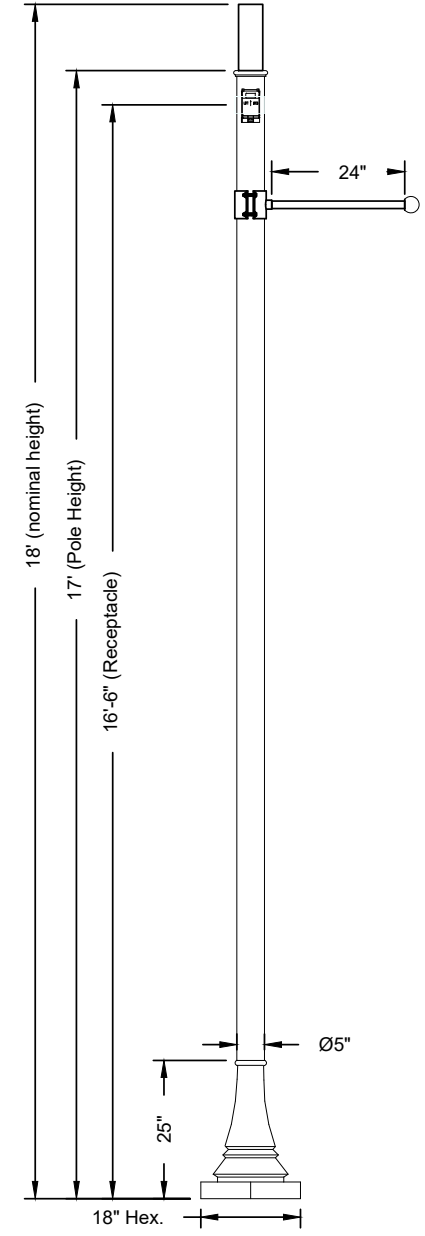
DIMENSIONAL DATA & ORIENTATION



ARM	EPA (sqft)	Weight (LBS)
LSC 29IN 1A TN	2.4	30
LSC 29IN 2A TN	2.9	40
LSC 29IN 1A WB	2.2	25

Princeton Series Pole

Aluminum, Smooth Straight S5J Shaft
Tenon: Ø4.3/8"x12", Finish: RAL5002 Super Durable Corrosion Resistant Finish
(1)GFI Receptacle, Small In-Use Weatherproof Cover
(1)24" Long, Clamp-on Banner Arm, Ball finial
3/4"x18" Anchor Bolts

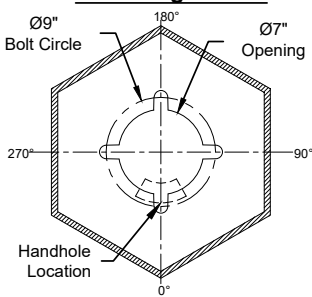


Accessory Mounting Detail

	Orientation	Height
RECEPTACLE		
CLAMP-ON BANNER ARM		

- CUSTOMER NOTES:**
- STANDARD SPECS NOT SHOWN HERE CAN BE FOUND ON SEPARATE CUT SHEETS (PLEASE SEE SALES).
 - CUSTOMER SHALL VERIFY ACCESSORY LOCATION IN TABLE AND PROVIDE PRIOR TO PRODUCTION.
 - ANCHORAGE DETAIL PROVIDED FOR VISUAL ONLY - DO NOT USE TO SET ANCHOR BOLTS.**
 - SIGNED APPROVAL TO ACCOMPANY PO.

Anchorage Detail



APPROVED

Catalog #s:
Pole: PSA 17 S5J 18D G12 RAL5002SDCR GRD RP350 **RFD346851**
Anchor Bolts: AB-31-4
Receptacle: FGIUS RAL5002SDCR
Banner Arm: BA 24IN 1A CO S5J BL 075P RAL5002SDCR

Customer Signature:

Date:



Town of Gore Bay Street Lights

Gore Bay, Ontario

ORDER #: 3031-24-10351-0	TYPE:	DRAWING #:
REVISION:	REVISION DATE:	TSG 015824
DRAWN: AMS	ORIGIN DATE: 08/19/24	PAGE: 1 of 1

THIS DRAWING, WHEN APPROVED, SHALL BECOME THE COMPLETE SPECIFICATION FOR THE MATERIAL TO BE FURNISHED BY HOLOPHANE ON THE ORDER NOTED ABOVE. A UNIT OF SIMILAR DESIGN MAY BE SUPPLIED, BUT ONLY AFTER APPROVAL BY THE CUSTOMER IN WRITING. ON POLE ORDERS AN ANCHOR BOLT TEMPLATE PRINT WILL BE SUPPLIED WITH EACH ANCHOR BOLT ORDER TO MATCH THE POLE PROVIDED. THIS PRINT IS THE PROPERTY OF HOLOPHANE AND IS LOANED SUBJECT TO RETURN UPON DEMAND AND UPON EXPRESS CONDITION THAT IT WILL NOT BE USED DIRECTLY OR INDIRECTLY IN ANY WAY DETRIMENTAL TO OUR INTERESTS, AND ONLY IN CONNECTION WITH MATERIAL FURNISHED BY HOLOPHANE.

Appendix D: Drawing Package

GENERAL NOTES:

- CONTRACTOR TO PERFORM LOCATES ALONG THE PROPOSED ROUTE TO AVOID CONFLICTS WITH EXISTING UNDERGROUND SERVICES PRIOR TO STARTING WORK.
- CONTRACTOR TO COORDINATE ROUTING WITH OTHER DISCIPLINES AND TO USE THE ELECTRICAL DRAWING IN CONJUNCTION WITH OTHER DRAWINGS AND DISCIPLINES.
- CONTRACTOR SHALL IDENTIFY AND LABEL CLEARLY ALL CIRCUITS, WIRING, SERVICES, JUNCTION BOXES, PULL BOXES, DEVICES AND EQUIPMENT INSTALLED AND CONNECTED UNDER THE SCOPE OF WORK OF THIS PROJECT. CONTRACTOR TO COORDINATE ALL LABELING WITH THE CONSULTANT.
- ALL DRAWINGS ARE DIAGRAMMATIC ONLY. THE ARRANGEMENT OF EQUIPMENT SHOWN ARE APPROXIMATIONS ONLY AND MAY BE ALTERED BY THE ENGINEER TO MEET THE REQUIREMENTS OF THE PROJECT. THESE DRAWINGS SHALL BE READ IN CONJUNCTION WITH OTHER CONSULTANTS DRAWINGS.
- CONTRACTOR SHALL BE RESPONSIBLE FOR COORDINATION OF ALL WORK WITH ALL OTHER TRADES, CONSULTANTS AND THE OWNER. ALL WORK SHALL BE SCHEDULED AND CARRIED OUT BY THE CONTRACTOR IN A MANNER TO ENSURE CONTINUED AND NON-INTERRUPTED OPERATION OF THE AREA OUTSIDE THE SCOPE OF WORK.
- ELECTRICAL CIRCUITS, EQUIPMENT, AND SERVICE ENCLOSURES SHALL BE BONDED AND GROUNDED AS PER THE OESC. EACH ITEM WITHIN THE ELECTRICAL SYSTEM SHALL BE BONDED TOGETHER.
- CONTRACTOR TO IDENTIFY ANY CONFLICTS WITH OTHER DISCIPLINES, PIPING, WIRING, EQUIPMENT ETC.
- ANY DEVIATION FROM SPECIFIED MANUFACTURED ITEMS MUST BE APPROVED BY THE DESIGN ENGINEER
- CONTRACTOR TO VERIFY ALL DIMENSIONS ONSITE PRIOR TO INSTALLATION AND REMOVAL OF EQUIPMENT.
- CONTRACTOR TO PAY FOR AND OBTAIN ALL REQUIRED PERMITS, FEES, LICENSES, CERTIFICATES OF INSPECTIONM ETC. IF REQUIRED.
- ALL WORK IS TO CONFORM TO ESA STANDARDS.

exp Services Inc.

Northern Ontario Engineering - Sudbury
888 Regent Street, Suite 3-6A
Sudbury, Ontario, Canada
P3E 0M4
Ph: 705 674 9881
Fax: 705 674 5883

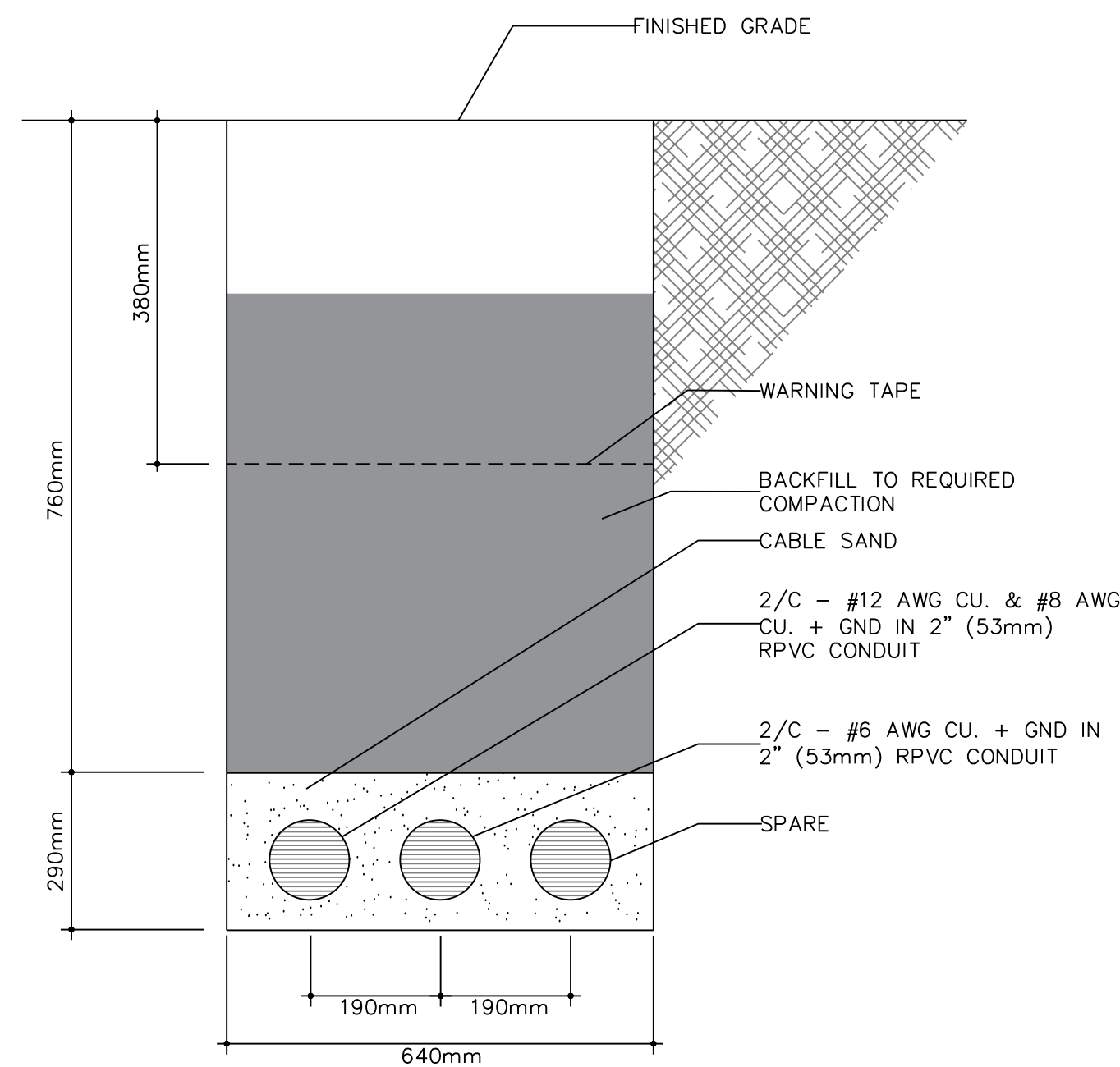


www.exp.com

• BUILDINGS • EARTH & ENVIRONMENT • ENERGY •
• INDUSTRIAL • INFRASTRUCTURE • SUSTAINABILITY •

CAUTION: DO NOT SCALE DRAWINGS.
THIS REPRODUCTION MAY BE AT A SIZE DIFFERENT THAN ORIGINALLY DRAWN. EXP ASSUMES NO RESPONSIBILITY FOR INCORRECT SCALING. UNAUTHORIZED REPRODUCTION OR RELEASE IS STRICTLY PROHIBITED. NOT PUBLISHED. ALL RIGHTS RESERVED. EXP EXPRESSLY DISCLAIMS RESPONSIBILITY ARISING FROM UNAUTHORIZED USE OF THESE DRAWINGS AND NOTES. AUTHORIZATION MUST BE IN WRITING.

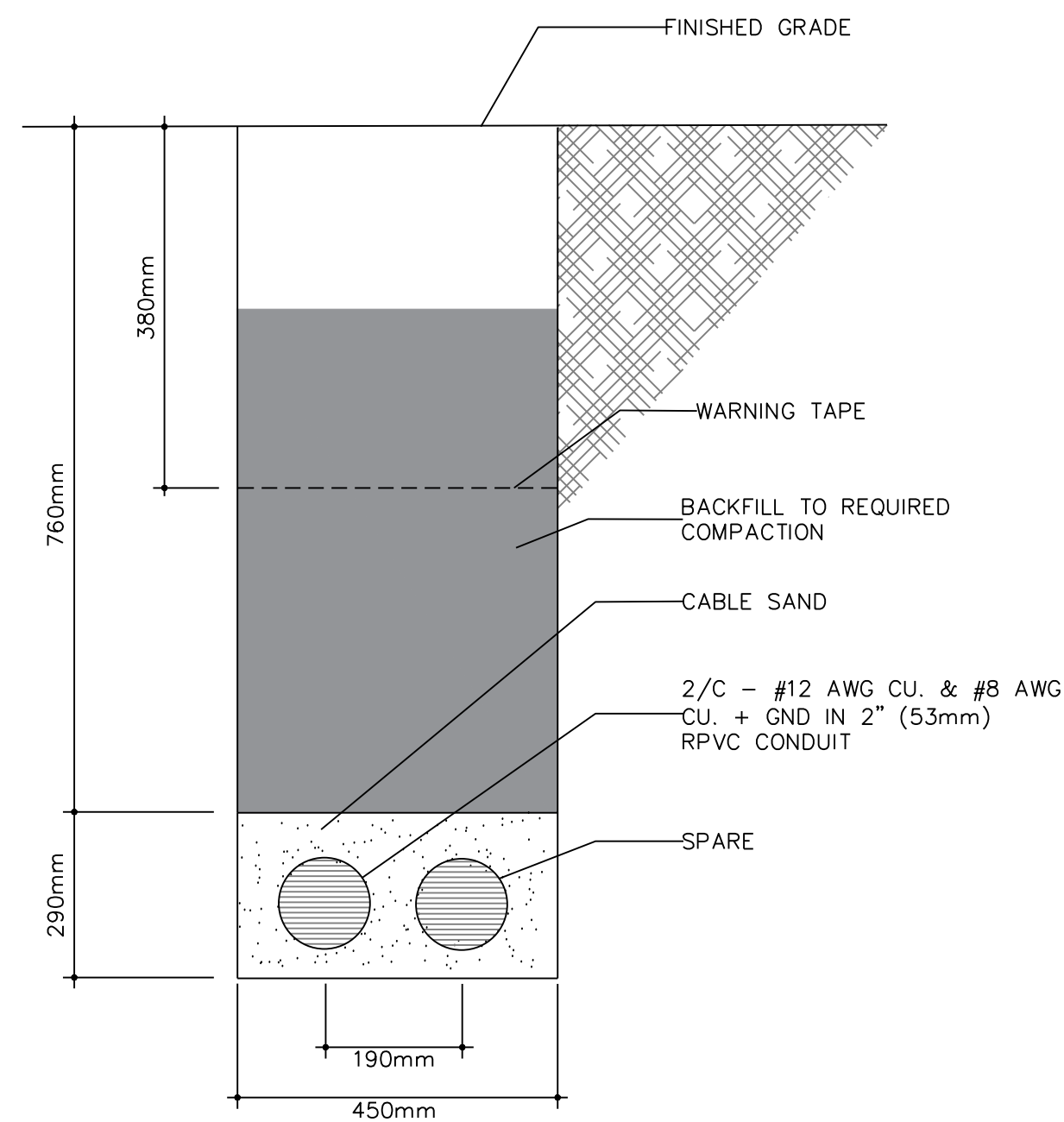
© exp. 2023



NOTES:

- INSTALLATION SHALL BE MADE IN ACCORDANCE WITH DETAIL ** DIAGRAM D11*, APPENDIX D OF THE 2018 ONTARIO ELECTRICAL SAFETY CODE.
- REFER TO ELECTRICAL DISTRIBUTION DIAGRAM FOR CONDUCTOR SIZE.

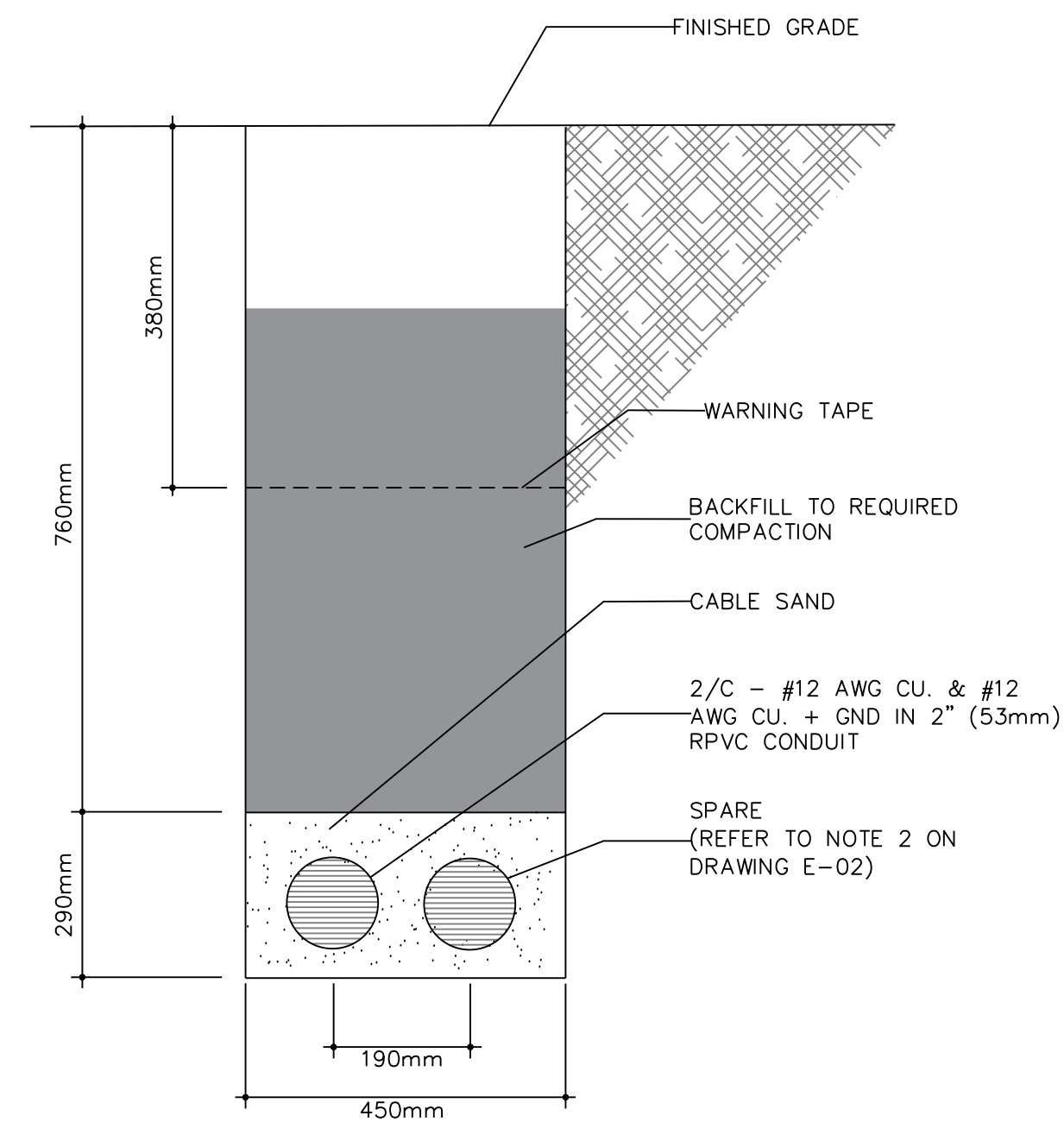
1 WEST TRENCHING DETAIL
E-01
N.T.S.



NOTES:

- INSTALLATION SHALL BE MADE IN ACCORDANCE WITH DETAIL ** DIAGRAM D11*, APPENDIX D OF THE 2018 ONTARIO ELECTRICAL SAFETY CODE.
- REFER TO ELECTRICAL DISTRIBUTION DIAGRAM FOR CONDUCTOR SIZE.

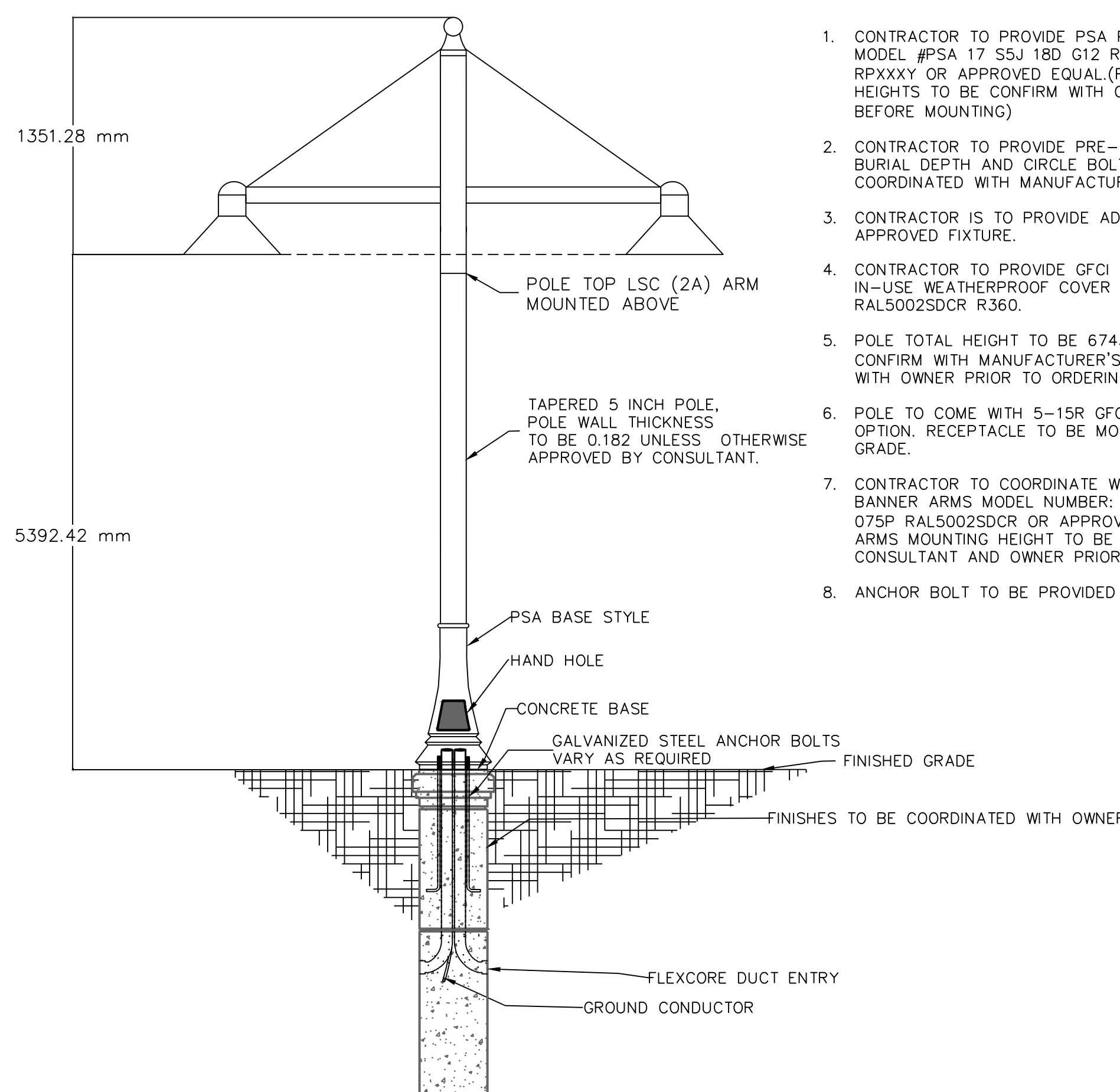
2 WEST TRENCHING DETAIL
E-01
N.T.S.



NOTES:

- INSTALLATION SHALL BE MADE IN ACCORDANCE WITH DETAIL ** DIAGRAM D11*, APPENDIX D OF THE 2018 ONTARIO ELECTRICAL SAFETY CODE.
- REFER TO ELECTRICAL DISTRIBUTION DIAGRAM FOR CONDUCTOR SIZE.

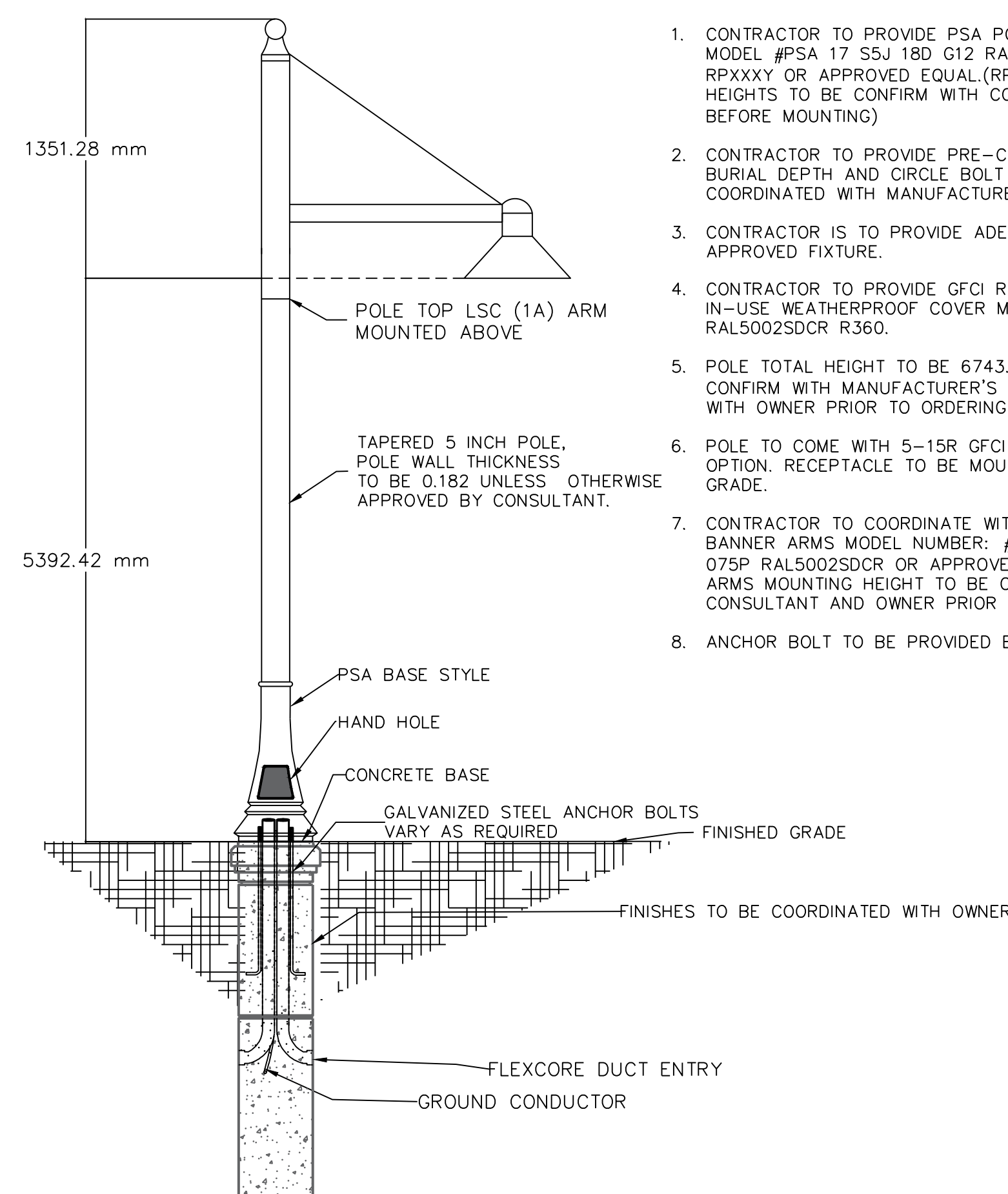
3 EAST TRENCHING DETAIL
E-01
N.T.S.



NOTES:

- CONTRACTOR TO PROVIDE PSA POLE AND BASE TYPE MODEL #PSA 17 55J 18D G12 RAL5002SDCR GRD RPXXXY OR APPROVED EQUAL (RPXXXY MOUNTING HEIGHTS TO BE CONFIRM WITH CONSULTANT AND OWNER BEFORE MOUNTING)
- CONTRACTOR TO PROVIDE PRE-CAST CONCRETE BASE. BURIAL DEPTH AND CIRCLE BOLT PATTERN ARE TO BE COORDINATED WITH MANUFACTURERS REQUIREMENTS.
- CONTRACTOR IS TO PROVIDE ADEQUATE TENON FOR APPROVED FIXTURE.
- CONTRACTOR TO PROVIDE GFCI RECEPTACLE WITH SMALL IN-USE WEATHERPROOF COVER MODEL NUMBER: #FGIUS RAL5002SDCR R360.
- POLE TOTAL HEIGHT TO BE 6743.1mm. CONTRACTOR TO CONFIRM WITH MANUFACTURER'S REQUIREMENTS AND WITH OWNER PRIOR TO ORDERING AND INSTALLATION.
- POLE TO COME WITH 5-15R GFCI RECEPTACLE MOUNTING OPTION. RECEPTACLE TO BE MOUNTED 750mm ABOVE GRADE.
- CONTRACTOR TO COORDINATE WITH OWNER AND PROVIDE BANNER ARMS MODEL NUMBER: #BA 24IN 1A CO S5J BL 075P RAL5002SDCR OR APPROVED EQUAL. (BANNER ARMS MOUNTING HEIGHT TO BE CONFIRMED WITH CONSULTANT AND OWNER PRIOR TO INSTALLATION.
- ANCHOR BOLT TO BE PROVIDED BY MANUFACTURER.

4 LIGHTING STYLE A
E-01
N.T.S.



NOTES:

- CONTRACTOR TO PROVIDE PSA POLE AND BASE TYPE MODEL #PSA 17 55J 18D G12 RAL5002SDCR GRD RPXXXY OR APPROVED EQUAL (RPXXXY MOUNTING HEIGHTS TO BE CONFIRM WITH CONSULTANT AND OWNER BEFORE MOUNTING)
- CONTRACTOR TO PROVIDE PRE-CAST CONCRETE BASE. BURIAL DEPTH AND CIRCLE BOLT PATTERN ARE TO BE COORDINATED WITH MANUFACTURERS REQUIREMENTS.
- CONTRACTOR IS TO PROVIDE ADEQUATE TENON FOR APPROVED FIXTURE.
- CONTRACTOR TO PROVIDE GFCI RECEPTACLE WITH SMALL IN-USE WEATHERPROOF COVER MODEL NUMBER: #FGIUS RAL5002SDCR R360.
- POLE TOTAL HEIGHT TO BE 6743.1mm. CONTRACTOR TO CONFIRM WITH MANUFACTURER'S REQUIREMENTS AND WITH OWNER PRIOR TO ORDERING AND INSTALLATION.
- POLE TO COME WITH 5-15R GFCI RECEPTACLE MOUNTING OPTION. RECEPTACLE TO BE MOUNTED 750mm ABOVE GRADE.
- CONTRACTOR TO COORDINATE WITH OWNER AND PROVIDE BANNER ARMS MODEL NUMBER: #BA 24IN 1A CO S5J BL 075P RAL5002SDCR OR APPROVED EQUAL. (BANNER ARMS MOUNTING HEIGHT TO BE CONFIRMED WITH CONSULTANT AND OWNER PRIOR TO INSTALLATION.
- ANCHOR BOLT TO BE PROVIDED BY MANUFACTURER.

5 LIGHTING STYLE B
E-01
N.T.S.

A		B.L.		2024-09-12	
No.	Revision	By:	Date		

ISSUED FOR QUOTE

Professional Seal(s)

Drawn By: B.W.L. Scale: 1:200

Checked By: B.L. Date: 2024-09-12

Approved By: A.M. Date: 2024-09-12

Date Printed: 2024-09-12

File Name:

Project Title

GORE BAY WATERMAIN UPGRADES

TOWN OF GORE BAY

Dwg. Title

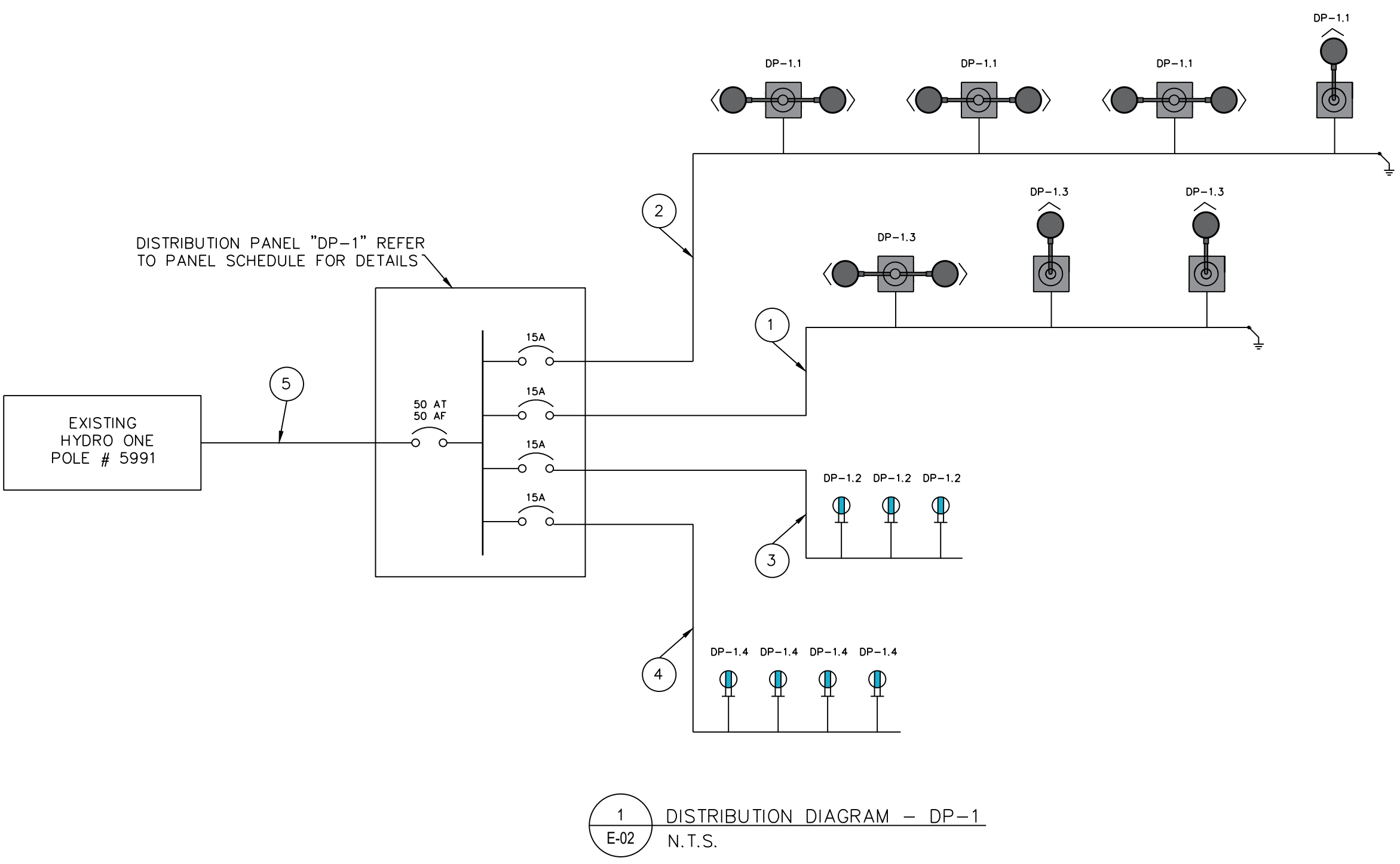
DAWSON STREET ELECTRICAL DETAILS

Project No. SUD-23000881-A0

Dwg. No. E-01

Rev. No. A

W:\p\man\SUD\SUD-23000881-A\06 Executions\Drawings\Electrical



1 DISTRIBUTION DIAGRAM - DP-1
E-02 N.T.S.

PANEL	LOCATION	VOLTAGE	PHASE	WIRE	MAINS	MCB	A.I.C.	ENCLOSURE	MOUNTING	FED FROM
DP-1	DAWSON STREET	120 / 240	1	3	50A	50A	22kA	NEMA 3R	GROUND	5991
CCT	LOAD DESCRIPTION	VA	CB OPT	CB	PH	CB	CB OPT	VA	LOAD DESCRIPTION	CCT
1	LIGHTING RUN 1 - WEST	231		15	A	15		600	GFCI - RECEPTACLES RUN 2 - EAST	2
3	LIGHTING RUN 2 - EAST	162		15	B	15		800	GFCI - RECEPTACLES RUN - WEST	4
5	SPARE			15	A	15			SPARE	6
7	SPARE			15	B	15			SPARE	8
9	SPARE			15	A	15			SPARE	10
11	SPARE			20	B	20			SPARE	12

CB OPT:		
ST - SHUNT TRIP		
AF - ARC FAULT CIRCUIT INTERRUPTER		
GF - GROUND FAULT CIRCUIT INTERRUPTER		
FR - 100% RATED		
L - LOCKABLE		

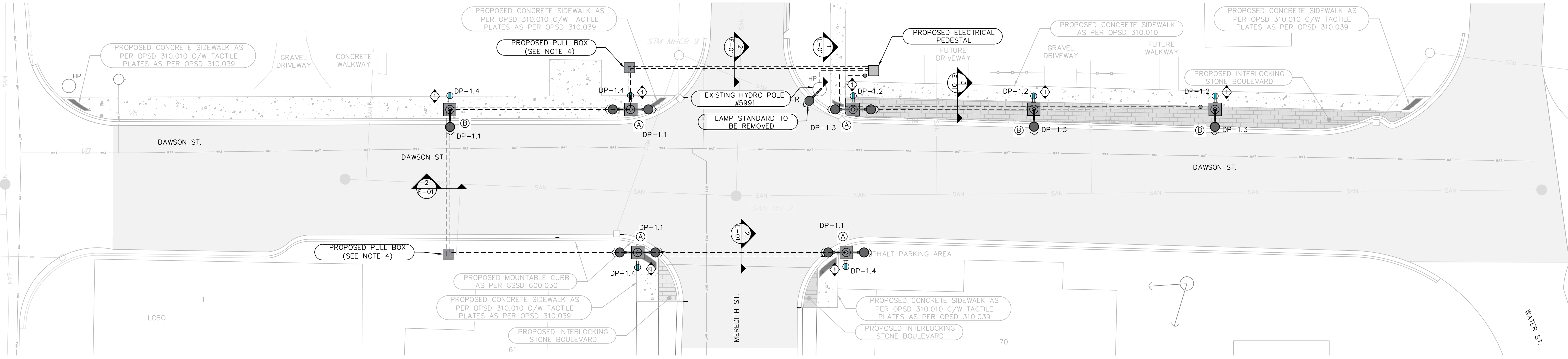
PHASE TOTALS		
PHASE-A	KVA	AMPS
	0.8	6.9
PHASE-B	1.0	8.0
TOTAL CONNECTED		
	1.8	7.5

NOTES:
1. PANEL IS TO BE RATED FOR OUTDOOR USE, RATED 3R OR APPROVED EQUAL.
2. FED FROM, REFERS TO HYDRO POLE NUMBER
3. CONTRACTOR TO PROVIDE AND INSTALL POWER SOLUTIONS INC. POWER PEDISTAL MODEL #SL42-1-12-60 OR APPROVED EQUAL.

FEEDER SCHEDULE					
NO.	RUNS	COPPER CONDUCTOR	CONDUIT	GRD.	REMARKS
1	1	2 #12 AWG RWU90	53mm RPVC	#10	
2	1	2 #12 AWG RWU90	53mm RPVC	#10	
3	1	2 #12 AWG RWU90	53mm RPVC	#10	TYPICAL RECEPTACLE WIRING
4	1	2 #8 AWG RWU90	53mm RPVC	#10	TYPICAL RECEPTACLE WIRING
5	1	2 #6 AWG RWU90	53mm RPVC	#8	SEE NOTE 3.

- NOTES
- CABLE ROUTING IS PROPOSED ONLY. CONTRACTOR TO CONFIRM FINAL ROUTING AND CONFIRM VOLTAGE DROP IS WITHIN OESC LIMITS.
 - CONTRACTOR TO CAP ALL ABANDONED CONDUITS AND LEAVE THEM IN PLACE WITHIN THE GROUND. ENSURE THAT ALL CAPPED CONDUITS ARE RENDERED INACCESSIBLE AND CANNOT BE USED FOR ANY FUTURE INSTALLATIONS.
 - CONTRACTOR TO RUN LIGHTING AND RECEPTACLE CIRCUITS WITHIN THE SAME CONDUIT WHERE PERMITTED BY CODE. ENSURE THAT ALL CONDUCTORS ARE PROPERLY IDENTIFIED.
 - CONTRACTOR TO PROVIDE WEATHER-PROOF AND TRAFFIC RATED PULL BOXES AT EVERY ROAD CROSSING AND 90 DEGREE BENDS. SIZING TO BE AS PER OESC.

- KEYNOTES
- PROVIDE 15A GFCI DUPLEX RECEPTACLE WITH WEATHER PROOF EXTRA DUTY WHILE IN USE DIE CAST ALUMINUM COVER. MOUNT AT 750MM ABOVE GROUND LEVEL.

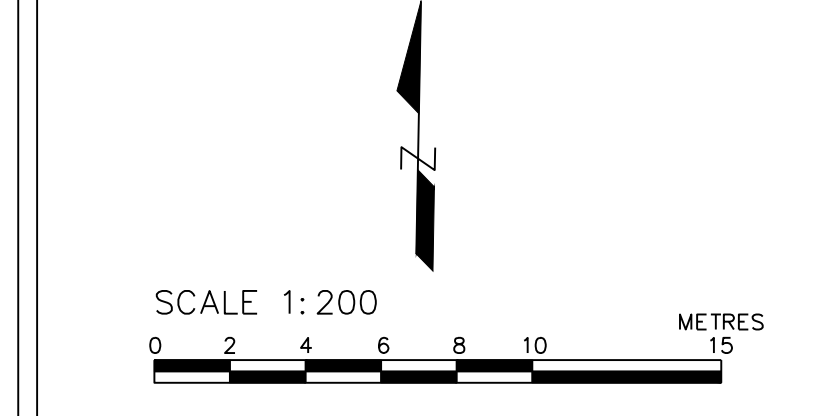


exp Services Inc.
Northern Ontario Engineering - Sudbury
888 Regent Street, Suite 3-64
Sudbury, Ontario, Canada
P1E 0M4
Tel: 706 674 9881
Fax: 706 674 5983
www.exp.com

• BUILDINGS • EARTH & ENVIRONMENT • ENERGY •
• INDUSTRIAL • INFRASTRUCTURE • SUSTAINABILITY •

CAUTION: DO NOT SCALE DRAWINGS.
THIS REPRODUCTION MAY BE AT A SIZE DIFFERENT THAN ORIGINALLY DRAWN. EXP ASSUMES NO RESPONSIBILITY FOR INCORRECT SCALING. UNAUTHORIZED REPRODUCTION OR RELEASE IS STRICTLY PROHIBITED. NOT PUBLISHED. ALL RIGHTS RESERVED. EXP EXPRESSLY DISCLAIMS RESPONSIBILITY ARISING FROM UNAUTHORIZED USE OF THESE DRAWINGS AND NOTES. AUTHORIZATION MUST BE IN WRITING.
© exp, 2023

- LEGEND
- DUAL HEAD LIGHTING
 - SINGLE HEAD LIGHTING
 - PROPOSED DISTRIBUTION PANEL
 - PROPOSED DECORATIVE MAST
 - 5-15R GFCI RECEPTACLE
 - LIGHT STANDARD TO BE REMOVED
 - UNDERGROUND CABLING
 - UNDERGROUND CABLING CAPPED



ISSUED FOR QUOTE	ISSUED FOR QUOTE	B.L.	2024-09-12
No.	Revision	By:	Date

ISSUED FOR QUOTE

Professional Seal(s)

Drawn By: B.W.L.	Scale: 1:200
Checked By: B.L.	Date: 2024-09-12
Approved By: A.M.	Date: 2024-09-12
Date Printed: 2024-09-12	

File Name:
Project Title

GORE BAY WATERMAIN UPGRADES

TOWN OF GORE BAY

DAWSON STREET POWER & LIGHTING LAYOUT

Project No. SUD-23000881-A0

Dwg. No. **E-02** Rev. No. **A**

TABLE 11.1 RP-8 IES STANDARDS - LIGHTING CRITERIA FOR STREETS				
VALUES ARE MEASURED IN FOOTCANDLES				
	L _{avg}	L _{avg} /L _{min}	L _{max} /L _{min}	L _{v,max} /L _{avg}
LOCAL (MED)	0.5	6.0	10.0	0.4
CALCULATED LEVELS STREET - WEST	1	1.3:1	2.0:1	0.2
CALCULATED LEVELS STREET - EAST	0.9	1.4:1	1.9:1	0.2

LIGHTING SCHEDULE			
TYPE	VOLTAGE	WATTAGE	DESCRIPTION
A	120	60	ACUITYBRANDS - GELF3 - P10 - LED - 3,870 LUMENS - 30K CCT, ASYMMETRIC, HOUSESIDE SHIELD, STEM MOUNTED, DUEL HEAD MOUNTED ON LIBSON ROADWAY ARM OR APPROVED EQUAL, C/W PHOTO CELL CONTROL, OR APPROVED EQUAL.
B	120	51	ACUITYBRANDS - GELF3 - P20 - LED - 6,143 LUMENS - 30K CCT, ASYMMETRIC, HOUSESIDE SHIELD, STEM MOUNTED, MOUNTED ON LIBSON ROADWAY ARM OR APPROVED EQUAL, C/W PHOTO CELL CONTROL, OR APPROVED EQUAL.
COMMENTS	-CONTRACTOR TO VERIFY FIXTURE COLOURS PRIOR TO ORDERING AND INSTALLING WITH OWNER. -CONTRACTOR TO PROVIDE AND INSTALL PSA LIGHT POST BASES OR APPROVED EQUAL.		

TABLE 5 RP-8 IES STANDARDS - RECOMMENDED VALUES FOR MEDIUM PEDESTRAIN CONFLICT AREAS			
VALUES ARE MEASURED IN FOOTCANDLES			
	E _{avg} (lux/ftc)	E _{vmin} (lux/ftc)	E _{avg} /E _{min}
PEDESTRIAN AREA	5.0/0.5	2.0/0.2	4.0
CALCULATED LEVELS	2.3	2	1.2

TABLE 12.1 RP-8 IES STANDARDS - PAVEMENT ILLUMINANCE CRITERIA FOR INTERSECTIONS		
VALUES ARE MEASURED IN FOOTCANDLES		
	Medium (Avg)	E _{avg} /E _{min}
LOCAL/LOCAL	1.3	6.0
CALCULATED	2.0	1.7:1

Appendix E: Power Pedestal Cutsheets

Weatherproof External Enclosure
is NEMA 3R Listed

Materials Notes:
Enclosure Matl-
10 gauge (0.100") thick aluminum sheet metal
Exterior Powdercoat Colour-
"Equipment Green", a dark forest green colour,
Protech PS211G58 powder coat
Backplate Matl-
Minimum 16 gauge (0.063") thick satin coated mild steel
sheet. Left in mill finish
Distribution Panel:
Square D cat# CQO112M100PC, 12cct., 2p, 3w
Combination service entrance panel
OR
Square D cat# CQO112M60PC, 12cct., 2p, 3w
Combination service entrance panel
Main Breaker-
Square D cat# QOM100VHL, 100amp 2pole
Wire range #4-2/0 Al/Cu 22kA I.C. rating
OR
Square D cat# QOM60VHL, 60amp 2pole
Wire range #4-2/0 Al/Cu 22kA I.C. rating

Load Breakers-
Square D cat# QO series
Single Pole- QO1xxx (xxx = Amperage)
Double Pole- QO2xxx (xxx = Amperage)
(see pedestal part number for breaker description)

Main Neutral Lug-
Wire range #4-2/0 Al/Cu

Load Neutral Lugs-
Wire Range 1 lug #4-2/0 Al/Cu
3 lugs #14-1/0 Al/Cu, 8 lugs #14-#6 Al/Cu

Fasteners-
4-Plated hex head bolts, 1/2"x13x2" Grade 2 or better
4-Plated 1/2" Flat washers
4-Plated 1/2" Lock washers
for mounting into concrete mounting base

Contactor-
none

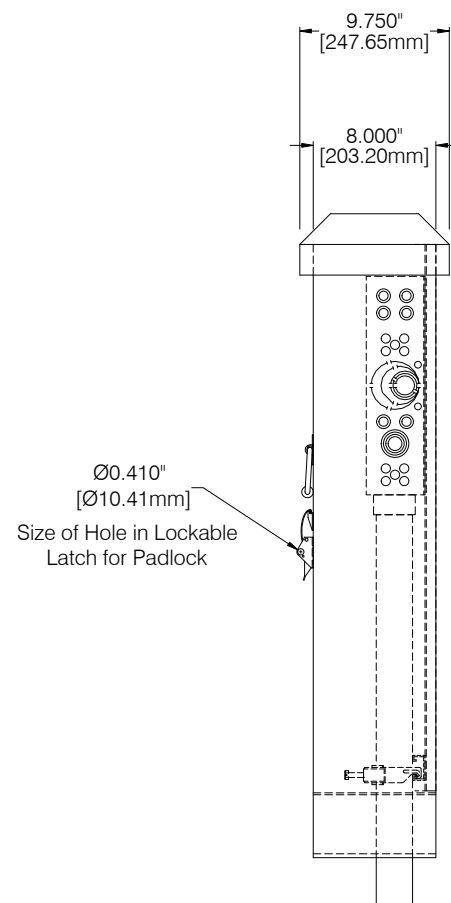
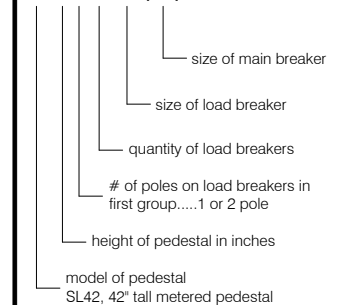
Timer Override Switch-
none

Timer-
none

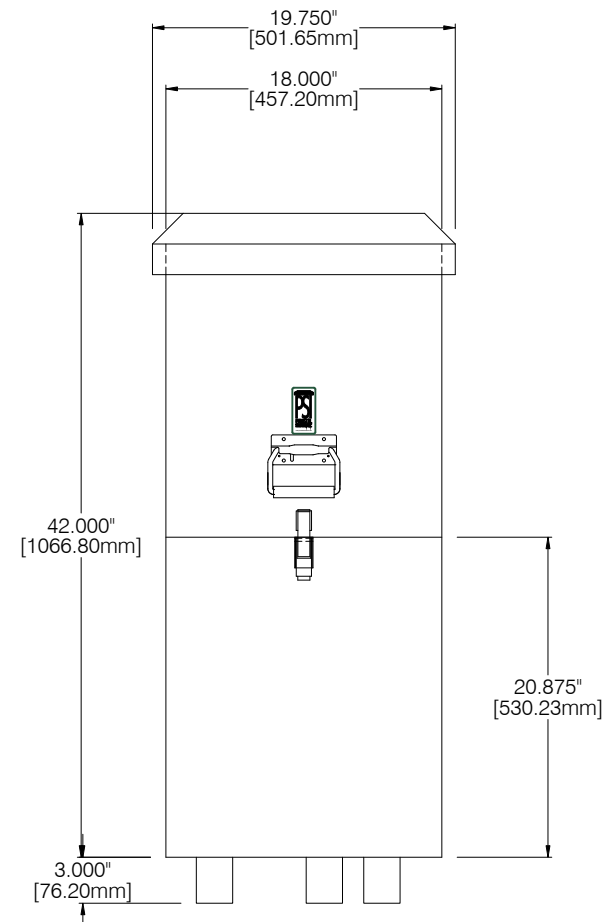
Junction Box-
none

Meter Base-
none

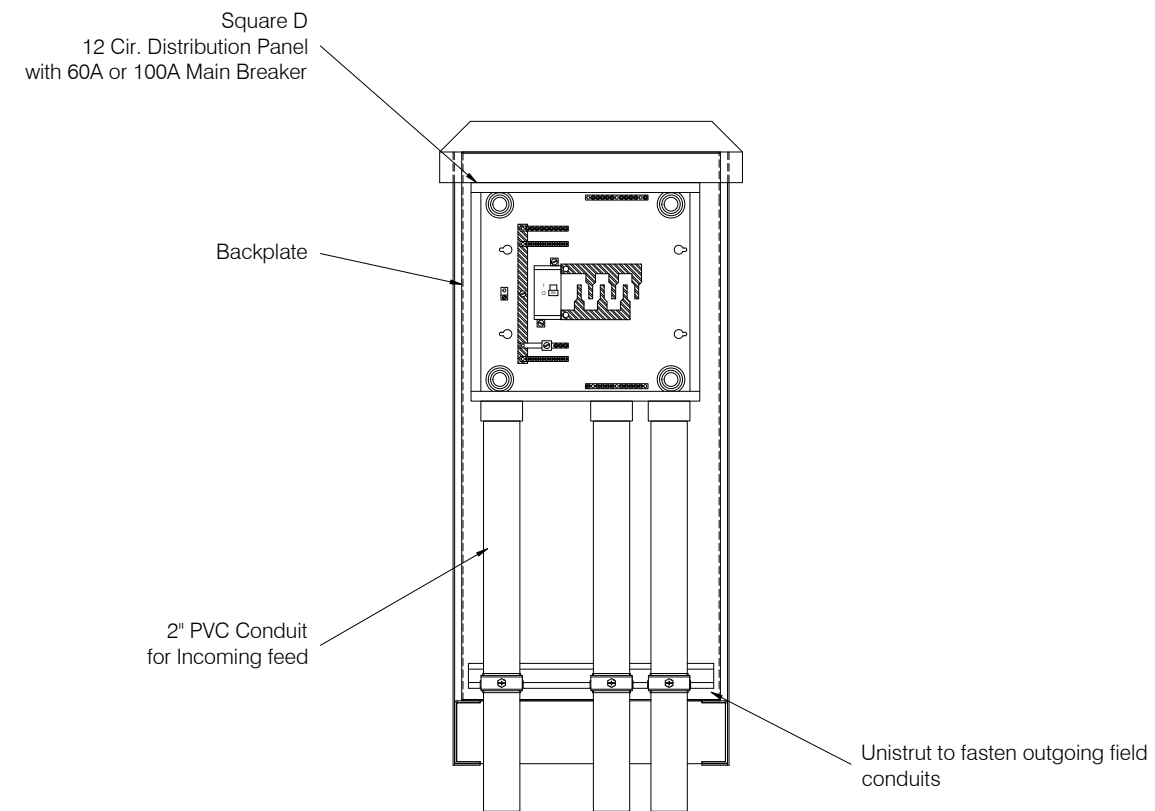
Part Number Explanation:
SL42X-X-XX(XX)



Side View



Front Outside View
with Front Panels in place



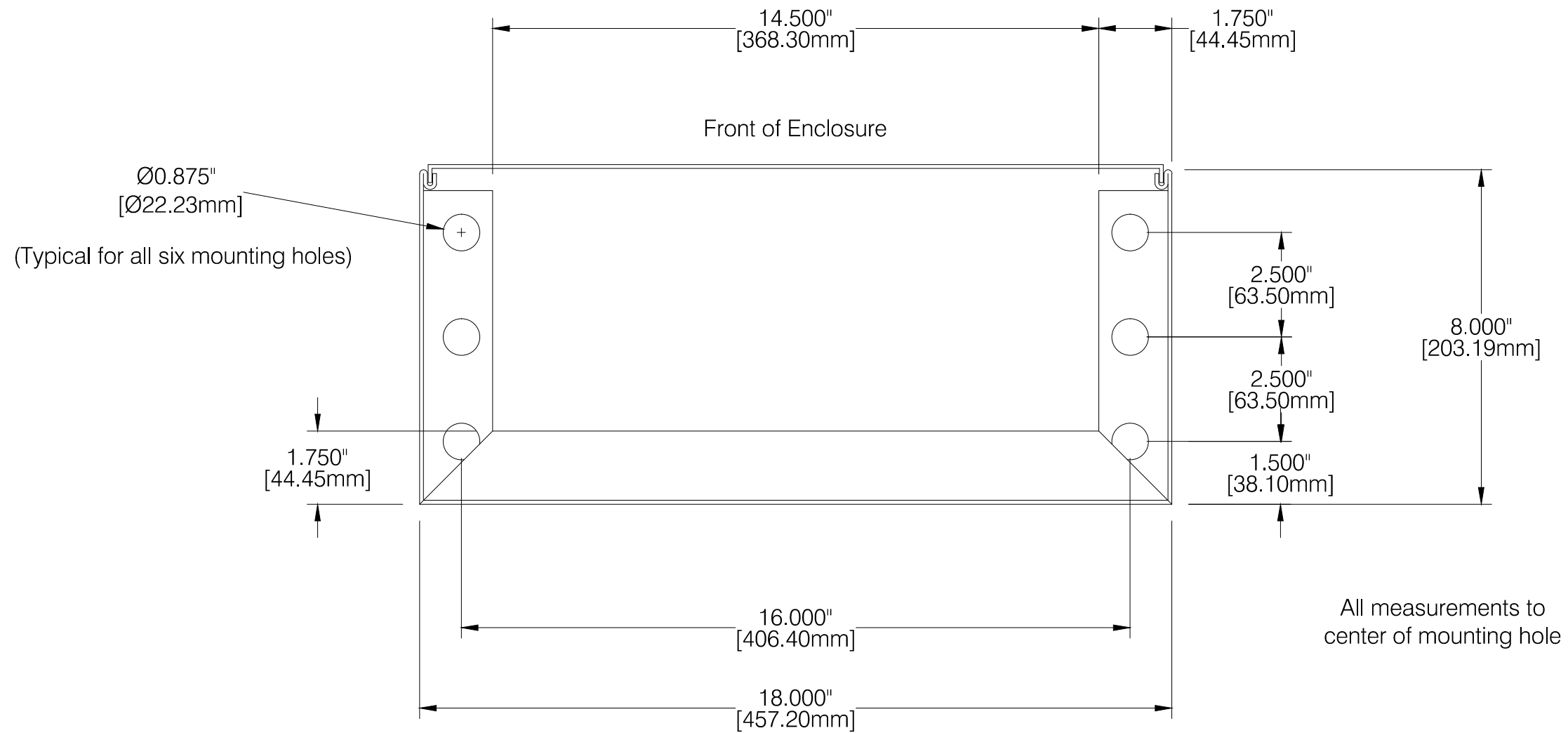
Front Outside View
with Upper and Lower Front Panels removed

SL42 Un-Metered Pedestal
(Typical Layout)

Do not Modify or Reproduce
without PSI Written Consent

PSI PEDESTAL SOLUTIONS INC.
6552 Ravenshoe Road, Unit #6
Sutton West, Ont. L0E 1R0
Tel: (905) 476-7433
Email: info@pedestalsolutions.com

TITLE: SL42 42" TALL METERED PEDESTAL LAYOUT VIEWS	
DRAWN BY RAD	PART NO. SL42 TYPICAL
CHECKED BY BP	DWG NO. SL42 TYPICAL
SCALE NONE	
	REVISION A
DATE MARCH 04, 2024	PAGE: 1 OF 1



Baseplate Mounting
Dimensions

Baseplate Mounting Dimensions for SLT, SLS and SL42 enclosures

PEDESTAL SOLUTIONS INC.
6552 Ravenshoe Road, Unit #6
Sutton West, Ont., L0E 1R0
Tel: (905) 715-2056
Email: info@pedestalsolutions.com

TITLE: PEDESTAL SOLUTIONS INC.
TALL STREET LIGHTING,
SHORT STREET LIGHTING AND SL42
BASEPLATE MOUNTING DIMENSIONS

DRAWN BY RAD	PART NO. SLT, SLS, &SL42
CHECKED BY CB	DWG NO. BASEPLATE-SLT
SCALE NONE	
	REVISION C
DATE FEBRUARY 01, 2019	PAGE: 1 OF 1